

Owner's Manual



Models:
S2Q-PA, S5Q-PA, S8Q-PA, S2Q-P/12VDC,
S5Q-P/12VDC
NSF Standard 55 Class B
Validated Models:
SV5Q-PA, SV8Q-PA

Powered by
Sterilight



425 Clair Rd. W, Guelph, Ontario, Canada N1L 1R1
 t. (+1) 519.763.1032 • f. (+1) 800.265.7246 (US and Canada only)
 t. (+31) 73 747 0144 (Europe only) • f. (+1) 519.763.5069
 e-mail: info@viqua.com
 www.viqua.com

425 Clair Rd. W, Guelph, Ontario, Canada N1L 1R1
 t. (+1) 519.763.1032 • f. (+1) 800.265.7246 (US et Canada seulement)
 t. (+31) 73 747 0144 (Europe seulement) • f. (+1) 519.763.5069
 Courriel : info@viqua.com
 www.viqua.com

425 Clair Rd. W, Guelph, Ontario, Canadá N1L 1R1
 t. (+1) 519.763.1032 • f. (+1) 800.265.7246 (solo EE. UU. y Canadá)
 t. (+31) 73 747 0144 (solo Europa) • f. (+1) 519.763.5069
 correo electrónico: info@viqua.com
 www.viqua.com

425 Clair Rd. W, Guelph, Ontario, Canada N1L 1R1
 t. (+1) 519.763.1032 • f. (+1) 800.265.7246 (US and Canada only)
 t. (+31) 73 747 0144 (Europe only) • f. (+1) 519.763.5069
 e-mail: info@viqua.com
 www.viqua.com



Congratulations on the purchase of your ultraviolet (UV) water disinfection system! This system uses the most advanced UV technology on the market and is designed to provide you with years of trouble free operation with minimal maintenance required to protect your drinking water from microbiological contaminants.

To ensure ongoing disinfection of your water, UV lamps need to be replaced annually with VIQUA factory-supplied replacements. VIQUA lamps are the result of extensive development resulting in a highly efficient disinfection platform with extremely stable UV output over the entire 9000 hour lifetime. Its success has led to a proliferation of non-genuine copies in the market.

The UV lamp is the heart of the disinfection system, and there should be no compromise when it's time for a replacement.

Why should you insist on genuine factory supplied VIQUA replacement lamps?

- Use of widely available, non-genuine, replacement lamps has been shown to damage the control module of VIQUA UV disinfection equipment.
- An increasing number of calls to VIQUA Technical Support are connected with non-genuine lamps being used (unknowingly) as replacements.
- Damage arising from the use of non-genuine lamps poses a safety risk and is not covered by equipment warranty.
- Unless the UV equipment is equipped with a UV sensor (monitor), it is not possible to verify the UV (invisible) output of replacement lamps.
- Similar appearance to the original lamp and the presence of (visible) blue light does not mean equivalent disinfection performance.
- VIQUA replacement lamps undergo rigorous performance testing and strict quality control processes to ensure that the safety and performance certifications of the original equipment are not compromised.

So, you can see that it's simply not worth the risk! Insist on genuine VIQUA replacement lamps.

Sección 9 Garantía del fabricante

Nuestro compromiso

VIQUA se compromete a asegurar que su experiencia con nuestros productos y organización superen sus expectativas. Hemos fabricado el sistema de desinfección UV según los más altos estándares y lo valoramos como cliente. Si necesitara soporte técnico o tiene preguntas acerca de su sistema, póngase en contacto con nuestro equipo de soporte técnico en el 1.800.265.7246 o en technicalsupport@viqua.com. Estaremos encantados de ayudarlo. Esperamos que disfrute de las ventajas que ofrece un agua potable limpia y segura después de la instalación del sistema de desinfección VIQUA.

Cómo realizar una reclamación bajo garantía

Nota: Para maximizar el rendimiento de desinfección y la fiabilidad de su producto VIQUA, el sistema se debe dimensionar, instalar y mantener adecuadamente. En el manual del propietario encontrará información de utilidad sobre los parámetros de calidad del agua necesarios y los requisitos de mantenimiento.

En el caso de que se necesitara una reparación o reposición de piezas cubiertas bajo esta garantía, el proceso lo gestionará el distribuidor. Si no está seguro de si un problema o fallo del sistema está cubierto por la garantía, póngase en contacto con nuestro equipo de soporte técnico en el 1.800.265.7246 o por correo electrónico en la dirección technicalsupport@viqua.com. Nuestros técnicos completamente formados le ayudarán a resolver el problema e identificar una solución. Tenga a mano el número de modelo (tipo de sistema), la fecha de compra, el nombre del distribuidor al que adquirió el producto VIQUA ("distribuidor de origen") y una descripción del problema que está experimentando. Para establecer la prueba de compra al realizar una reclamación bajo garantía, necesitará su factura original, o bien deberá haber completado y enviado su tarjeta de registro de producto por correo postal o en línea.

Cobertura específica de la garantía

La cobertura de la garantía es específica de la gama de productos de VIQUA. La cobertura de la garantía está sujeta a las condiciones y limitaciones establecidas en la sección "[Condiciones y limitaciones generales](#)".

Garantía limitada de diez años para la cámara UV de VIQUA

VIQUA garantiza que la cámara UV del producto VIQUA estará libre de defectos de material y mano de obra durante un período de diez (10) años desde la fecha de compra. Durante este período, VIQUA reparará o reemplazará, a su criterio, toda cámara UV VIQUA defectuosa. Devuelva la pieza defectuosa a su distribuidor, quien procesará su reclamación.

Garantía limitada de tres años para los componentes eléctricos y de hardware

VIQUA garantiza que los componentes eléctricos (controlador) y de hardware estarán libres de defectos de material y mano de obra durante un período de tres (3) años desde la fecha de compra. Durante este período, VIQUA reparará o reemplazará, a su criterio, toda pieza defectuosa cubierta por la garantía. Devuelva la pieza defectuosa a su distribuidor, quien procesará su reclamación.

Garantía limitada de un año para lámparas UV, vainas tubulares y sensores UV

VIQUA garantiza que las lámparas UV, las vainas tubulares y los sensores UV estarán libres de defectos de material y mano de obra durante un período de un (1) año desde la fecha de compra. Durante este período, VIQUA reparará o reemplazará, a su criterio, toda pieza defectuosa cubierta por la garantía. Su distribuidor procesará su reclamación y ofrecerá consejos sobre si el artículo defectuoso se debe devolver para realizar un análisis de fallos.

Nota: Utilice únicamente lámparas y vainas tubulares de reposición VIQUA originales en el sistema. El incumplimiento de este requisito podría poner en riesgo el rendimiento de la desinfección y afectar a la cobertura de la garantía.

Condiciones y limitaciones generales

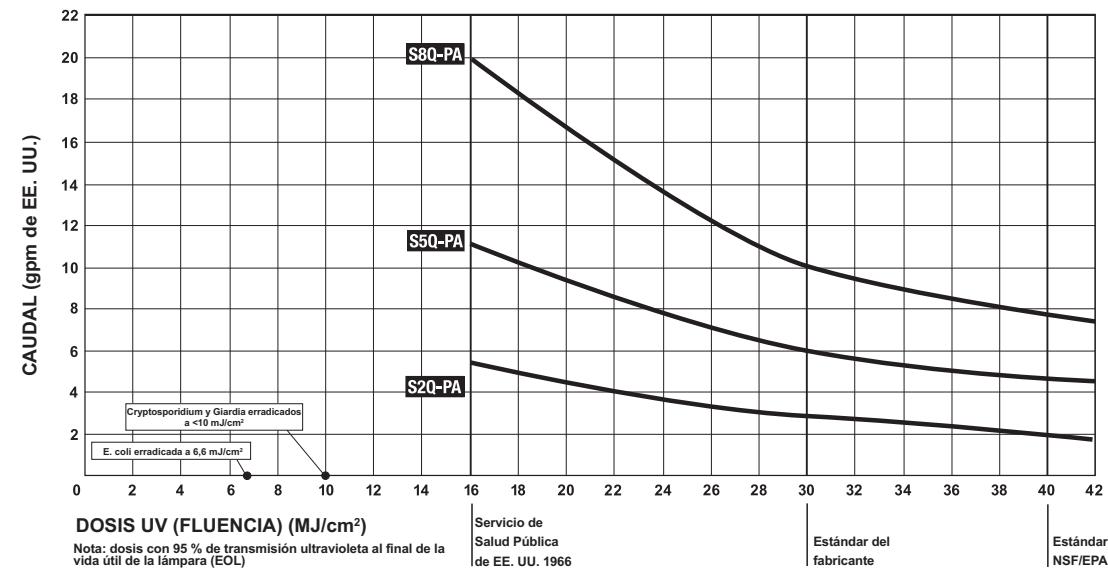
Ninguna de las garantías anteriores cubre los daños provocados por el uso o mantenimiento inadecuados, accidentes, actos de la naturaleza o arañazos e imperfecciones menores que no afectan materialmente el funcionamiento del producto. Las garantías tampoco cubren los productos que no se han instalado según las instrucciones del manual del propietario correspondiente.

Las piezas reparadas o reemplazadas según estas garantías serán cubiertas bajo garantía hasta el final del período de garantía aplicable a la pieza original.

Las garantías anteriores no incluyen el coste de envío y manipulación de los artículos devueltos. Las garantías limitadas que se describen anteriormente son las únicas garantías aplicables a la gama de productos VIQUA. En estas garantías limitadas se describe el único recurso para todas las reclamaciones basadas en un fallo o defecto de cualquiera de estos productos, ya sea que la reclamación se base en contrato, agravio (incluida la negligencia), responsabilidad estricta u otro. Estas garantías reemplazan a todas las demás garantías escritas, orales, implícitas o reglamentarias. No corresponde, sin limitación, ninguna garantía de comerciabilidad o aptitud para un propósito particular a ninguno de estos productos.

VIQUA no asume ninguna responsabilidad por lesiones o daños a la propiedad causados por el uso o el mal uso de cualquiera de los productos mencionados anteriormente. VIQUA no será de ningún modo responsable de los daños especiales, incidentales, indirectos o consecuentes. La responsabilidad de VIQUA se limitará, en todos los casos, a la reparación o reposición del producto o la pieza defectuosa y esta responsabilidad finalizará al finalizar el período de garantía aplicable.

Sección 7 Diagrama de flujo de dosis del fabricante



Sección 8 Especificaciones: Estándar y validado

| Modelo | | S2Q-P/12VDC/ S2Q-PA | S5Q-P/12VDC/ S5Q-PA/SV5Q-PA * | S8Q-PA/ SV8Q-PA * |
|--|--|--|--|--|
| Caudal | *NSF Clase B Certificada 16 mJ/cm² @ 70 % UVT | - | 3,6 gpm (13,6 lpm) (0,8 m³/h) | 7 gpm (26,5 lpm) (1,6 m³/h) |
| | Servicio de Salud Pública de EE. UU. 16 mJ/cm² con un 95 % de transmisión UV | 5 gpm (19 lpm) (1,1 m³/h) | 11 gpm (42 lpm) (2,5 m³/h) | 20 gpm (75 lpm) (4,5 m³/h) |
| | VIQUA estándar 30 mJ/cm² con el 95 % de transmisión UV | 3 gpm (11 lpm) (0,7 m³/h) | 6 gpm (23 lpm) (1,4 m³/h) | 10 gpm (38 lpm) (2,3 m³/h) |
| | NSF/EPA 40 mJ/cm² con el 95 % de transmisión UV | 2 gpm (7 lpm) (0,4 m³/h) | 4,5 gpm (17 lpm) (1,0 m³/h) | 8 gpm (29 lpm) (1,8 m³/h) |
| Dimensiones | Cámara | 43,2 cm x 6,4 cm (17" x 2,5") | 56 cm x 6,4 cm (22" x 2,5") | 90 cm x 6,4 cm (35" x 2,5") |
| | Controlador de 100-250 V de CA | 18,6 cm x 8,1 cm x 6,4 cm (7,3" x 3,2" x 2,5") | 18,6 cm x 8,1 cm x 6,4 cm (7,3" x 3,2" x 2,5") | 18,6 cm x 8,1 cm x 6,4 cm (7,3" x 3,2" x 2,5") |
| | Controlador 12 VDC | 13,5 cm x 4,3 cm x 5,8 cm (5,3" x 1,7" x 2,3") | 13,5 cm x 4,3 cm x 5,8 cm (5,3" x 1,7" x 2,3") | - |
| Tamaño del puerto de entrada/salida ¹ | | 1/2" MNPT | 3/4" MNPT | 3/4" MNPT |
| Peso del paquete | | 2,7 kg (6 lbs) | 2,7 kg (6 lbs) | 4,5 kg (10 lbs) |
| Eléctrico | Tensión ² | 100-240V/50-60 Hz | 12 VDC | 100-240V/50-60 Hz |
| | Consumo de energía | 22 W | 20 W | 30 W |
| | Wattios de la lámpara UV | 17 W | 15 W | 25 W |
| Presión máxima de funcionamiento | | 8,62 bar (125 psi) | 8,62 bar (125 psi) | 8,62 bar (125 psi) |
| Temperatura del agua | | 2-40 °C (36-104 °F) | 2-40 °C (36-104 °F) | 2-40 °C (36-104 °F) |
| Tipo de lámpara de UV | | Sterilume™-EX (rendimiento estándar) | Sterilume™-EX (rendimiento estándar) | Sterilume™-EX (rendimiento estándar) |
| Material de la cámara UV | | 304 SS | 304 SS | 304 SS |

¹ Las unidades acabadas en "1/2B" tienen conexiones BSPT.

² Las unidades acabadas en "1/2" son para las aplicaciones de 230 V.

Section 1 Safety Information

Please read this entire manual before operating this equipment. Pay attention to all danger, warning, and caution statements in this manual. Failure to do so could result in serious personal injury or damage to the equipment.

Make sure that the protection provided by this equipment is not impaired. DO NOT use or install this equipment in any manner other than that specified in the installation manual.

1.1 Potential Hazards:

Read all labels and tags attached to the system. Personal injury or damage to the system could occur if not observed.

| | | | |
|--|---|--|---|
| | Waste electrical and electronic equipment (WEEE). This symbol indicates that you should not discard wasted electrical or electronic equipment (WEEE) in the trash. For proper disposal, contact your local recycling/reuse or hazardous waste center. | | This symbol indicates not to store any combustible or flammable material close to the system. |
| | This symbol indicates there is Mercury present. | | This symbol indicates that the contents of the transport package are fragile and the package should be handled with care. |
| | This is the safety alert symbol. Obey all safety messages that follow this symbol to avoid potential injury. When on the equipment, refer to the Operational and Maintenance manual for additional safety | | This symbol indicates safety glasses with side protection is required for protection against UV exposure. |
| | This symbol indicates a risk of electrical shock and/or electrocution exists. | | This symbol indicates gloves must be worn. |
| | This symbol indicates the marked equipment may contain a component that can eject forcibly. Obey all procedures to safely depressurize. | | This symbol indicates safety boots must be worn. |
| | This symbol indicates the system is under pressure. | | This symbol indicates the operator must read all available documentation to perform required procedures. |
| | This symbol indicates there is a potential UV hazard. Proper protection must be worn. | | This symbol indicates the plumber must use copper piping. |
| | This symbol indicates the marked item could be hot and should not be touched without care. | | This symbol indicates that the system should only be connected to a properly grounded, grounding-type controller receptacle that is protected by a Ground Fault Circuit Interrupter (GFCI). |
| | This symbol indicates there is a potential for VERY hot water when flow is started. | | |

Warning: This product may contain chemicals known to the State of California to cause cancer and birth defects or other reproductive harm.

1.2 Safety Precautions:

| ⚠ DANGER | |
|-----------------|--|
| | <p>Failure to follow these instructions will result in serious injury or death.</p> <ul style="list-style-type: none"> Electric Shock: To avoid possible electric shock, special care should be taken since water is present near the electrical equipment. Unless a situation is encountered that is explicitly addressed by the provided maintenance and troubleshooting sections, DO NOT attempt repairs yourself, refer to an authorized service facility. GROUNDING: This product must be grounded. If it should malfunction or breakdown, grounding provides a path of least resistance for electric current to reduce the risk of electrical shock. This system is equipped with a cord having an equipment-grounding conductor and a grounding plug. The plug must be plugged into an appropriate outlet that is properly installed and grounded in accordance with all local codes and ordinances. Improper connection of the equipment-grounding conductor can result in a risk of electrocution. Check with a qualified electrician or service personnel if you are in doubt as to whether the outlet is properly grounded. DO NOT modify the plug provided with this system – if it does not fit in the outlet, have a proper outlet installed by a qualified electrician. DO NOT use any type of adapter with this system. GROUND FAULT CIRCUIT INTERRUPTER PROTECTION: To comply with the National Electrical Code (NFPA 70) and to provide additional protection from the risk of electric shock, this system should only be connected to a properly grounded, grounding-type controller receptacle that is protected by a Ground Fault Circuit Interrupter (GFCI). Inspect operation of GFCI as per manufacturer's suggested maintenance schedule. DO NOT operate the disinfection system if it has a damaged cord or plug, if it is malfunctioning or if it has been dropped or damaged in any manner. DO NOT use this disinfection system for other than intended use (potable water applications). The use of attachments not recommended or sold by the manufacturer / distributor may cause an unsafe condition. DO NOT install this disinfection system where it will be exposed to the weather or to temperatures below freezing. DO NOT store this disinfection system where it will be exposed to the weather. DO NOT store this disinfection system where it will be exposed to temperatures below freezing unless all water has been drained from it and the water supply has been disconnected. |

⚠ WARNING



During extended periods of no water flow, the water in your chamber can become very hot (Approx. 60 °C) and potentially lead to scalding. It is recommended to run your water until this hot water has been purged from your chamber. Do not allow water to contact your skin during this time. To eliminate this condition, a temperature management valve can be installed at the outlet of your UV system.

⚠ CAUTION



Failure to follow these instructions could result in minor or moderate injury.

- Carefully examine the disinfection system after installation. It should not be plugged in if there is water on parts not intended to be wet such as, the controller or lamp connector.
- Due to thermal expansion concerns and potential material degradation due to UV exposure, it is recommended to use metal fittings and at least 10" of copper pipe on the outlet of your UV chamber.

NOTICE



- The UV lamp inside the disinfection system is rated at an effective life of approximately 9000 hours. To ensure continuous protection, replace the UV lamp annually.
- The UV system is not to be used or played with by children. Persons with reduced physical, sensory or mental capabilities, or lack of experience and knowledge, are also not to handle the UV system unless they have been given supervision or instruction.
- EXTENSION CORDS:** If an extension cord is necessary, use only 3-wire extension cords that have 3-prong grounding-type plugs and 3-pole cord connectors that accept the plug from this system. Use only extension cords that are intended for outdoor use. Use only extension cords having an electrical rating not less than the rating of the system. A cord rated for less amperes or watts than this system rating may overheat. Exercise caution when arranging the cord so that it will not be tripped over or pulled. DO NOT use damaged extension cords. Examine extension cord before using and replace if damaged. DO NOT abuse extension cord. Keep extension cord away from heat and sharp edges. Always disconnect the extension cord from the receptacle before disconnecting this system from the extension cord. Never yank cord to pull plug from outlet. Always grasp the plug and pull to disconnect.
- SYSTEM PROTECTION:** To protect your Controller, a UL1449 certified (or equivalent) transient voltage surge suppressor is strongly recommended.
- The UV lamp in this system conforms to the applicable provisions of the Code of Federal Regulations (CFR) requirements including, Title 21, Chapter 1, Subchapter J, Radiological Health.
- Read and understand the Owner's Manual before operating and performing any maintenance on this equipment.

1.3 Water Chemistry

Water quality is extremely important for the optimum performance of your UV system. The following levels are recommended for installation:

| Water Quality and Minerals | Level |
|----------------------------|--|
| Iron | < 0.3 ppm (0.3 mg/L) |
| Hardness* | < 7 gpg (120 mg/L) |
| Turbidity | < 1 NTU |
| Manganese | < 0.05 ppm (0.05 mg/L) |
| Tannins | < 0.1 ppm (0.1 mg/L) |
| UV Transmittance | > 75% (call factory for recommendations on applications where UVT < 75%) |

* Where total hardness is less than 7 gpg, the UV unit should operate efficiently provided the quartz sleeve is cleaned periodically. If total hardness exceeds 7 gpg, the water should be softened. If your water chemistry contains levels in excess of those mentioned above, proper pre-treatment is recommended to correct these water problems prior to the installation of your UV disinfection system. These water quality parameters can be tested by your local dealer, or by most private analytical laboratories. *Proper pre-treatment is essential for the UV disinfection system to operate as intended.*

5.2 Sistemas de 12 VDC que incorporan un controlador BA-RO/P/12



El LED verde indica que la lámpara de UV está "Encendida".

Sección 6 Solución de problemas

| Síntoma | Causas probables | Soluciones |
|--|--|--|
| Pérdida de presión | El pre-filtro de sedimento está atascado | Reemplazar el cartucho del filtro por un cartucho adecuado de 5 micrones. Nota: Verificar el suministro de agua de origen, ya que se pueden producir fluctuaciones en la presión de origen. |
| | Regulador de flujo | El regulador de flujo provoca una pérdida de presión al acercarse al flujo total. |
| Altas concentraciones de bacterias | Vaina tubular de cuarzo manchada o sucia | Limpiar la vaina tubular con un eliminador de sarro y eliminar la fuente del problema de mancha (por ejemplo, ablandar el agua dura), consultar la Sección 4.2 . |
| | Cambio en la calidad del agua de entrada | Analizar el agua de suministro para asegurarse de que la calidad del agua se encuentra dentro de los límites permitidos para este sistema. |
| | Contaminación en las líneas de agua después del sistema UV (p. ej., interrupciones del suministro eléctrico, tuberías sin salidas, etc.) | El sistema de desinfección debe contar con un sistema de distribución libre de bacterias para funcionar de manera efectiva. Consultar la Sección 3.2 |
| | Posible entrada de sedimentos a través del pre-filtro | Analice el agua de suministro para descartar la turbiedad: es posible que necesite un filtrado escalonado para recoger todos los sedimentos que entren en el sistema de agua (filtro de 20 micras seguido por uno de 5 micras, seguido a su vez por el sistema UV). |
| Agua procesada calentada | Problema común causado por un uso infrecuente del agua | Deje correr el agua hasta que vuelva a la temperatura ambiente. |
| El agua tiene un aspecto blanquecino | Provocado por el aire en las líneas de agua | Deje correr el agua hasta purgar todo el aire. |
| Unidad con fugas de agua | Problema con las juntas tóricas (en la tuerca de retención o el sensor UV) | Asegúrese de que la junta tórica esté en su sitio, compruebe si hay cortes o abrasiones, límpiela, humedézcala con agua o lubricante y vuelva a instalarla o sustitúyala si es necesario (410867). |
| | Condensación en la cámara UV provocada por humedad excesiva y agua fría | Verificar la ubicación del sistema de desinfección y controlar la humedad. |
| | Conexiones de puerto de entrada/salida inadecuadas | Comprobar las conexiones de rosca, volver a sellar con cinta Teflon® y volver a apretar. |
| El sistema se apaga de forma intermitente | Controlador interrumpido | <ul style="list-style-type: none"> Asegurarse de que el sistema se ha instalado en un circuito propio, ya que es posible que otros equipos estén consumiendo la alimentación del UV (por ejemplo, bomba o nevera). El sistema UV no debería instalarse en un circuito incorporado a un interruptor de luz. |
| Alarma de fallo de lámpara activada: nueva lámpara | Conexión suelta entre la lámpara UV y el conector | Desconecte la lámpara UV del conector y vuelva a conectarla, asegurándose de apretarla bien |
| | La acumulación de humedad en el conector podría impedir una conexión sólida entre la lámpara y el conector | Eliminar toda posibilidad de que la humedad entre en contacto con las clavijas del conector o la lámpara |

MODOS DE VISUALIZACIÓN DE FALLOS

| | |
|---------------------------------|---|
| En la pantalla LED se lee "A3" | <ul style="list-style-type: none"> La lámpara UV ha llegado al final de su vida útil: la cuenta atrás está en "0" días. Consulte Sección 5.1.2, Entender su código A3. Pulse el botón de reinicio para las alarmas diferidas y sustituya la lámpara UV |
| La pantalla LED está en blanco | <ul style="list-style-type: none"> El controlador está en el modo de fallo de la lámpara UV. Consulte Sección 5.1.5, Fallo de lámpara UV. Sustituya la lámpara UV, consulte Sección 4.1. Apague el sistema y deje que se reinicie; suminístrele electricidad para confirmar que el controlador puede encender la lámpara UV Compruebe si el sistema UV tiene suficiente alimentación |
| LED verde apagado (solo 12 VDC) | <ul style="list-style-type: none"> Fallo de la lámpara UV. Sustituya la lámpara UV, consulte Sección 4.1. No hay entrada de tensión en el controlador |

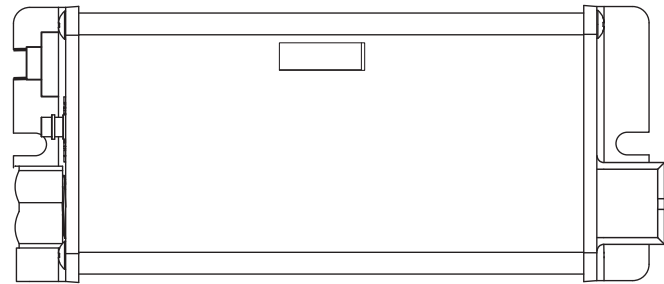
Sección 5 Funcionamiento

⚠️ ADVERTENCIA



El avanzado sistema de advertencia se ha instalado para ofrecer una protección óptima contra la contaminación microbiológica en el agua. NO haga caso omiso de las señales de advertencia. La mejor forma de garantizar el funcionamiento óptimo de UV es que una agencia de pruebas reconocida realice análisis microbiológicos de forma periódica.

5.1 Sistemas Básicos que incorporan el controlador BA-ICE-S



5.1.1 Vida restante de la lámpara UV (días)

365 El controlador registra el número de días de funcionamiento de la lámpara UV y del controlador. La pantalla predeterminada indicará la vida total restante de la lámpara (en días). El controlador seguirá contando el número de días que quedan hasta que sea necesario sustituir la lámpara UV (de 365 días a 1 día). Cuando llegue a "0", el controlador mostrará **A3** y emitirá un chirrido intermitente (1 segundo encendido, 5 segundos apagado) para indicar la necesidad de cambiar la lámpara UV.

5.1.2 Interpretación del código "A3"

A3 APLAZAMIENTO : cuando aparece en la pantalla LED el mensaje de fin de la vida útil de la lámpara UV o "A3", la alarma acústica se puede aplazar hasta 4 veces separadas. El retardo esta diseñado para que tenga tiempo de responder a la alarma mientras consigue otra lámpara UV. No tiene más que mantener pulsado durante 5 segundos el botón de reinicio del temporizador, que está situado en la parte izquierda del controlador. Cada vez que se pulse el botón de reinicio del temporizador, la alarma del controlador se aplazará siete días. Una vez transcurrido el plazo de 7 días, la alarma solo se podrá silenciar sustituyendo la lámpara UV y reiniciando de forma manual el temporizador del controlador (consulte la [Sección 4.1](#)).

5.1.3 Reinicio de la vida de la lámpara UV

Consulte [Sección 4.1](#).

Nota: Aunque la alarma del sistema se puede aplazar durante un período de tiempo, es importante que se responda a todas y cada una de las condiciones de alarma, porque indican que existe un posible problema en el sistema que debería corregirse.

5.1.4 Número total de días de funcionamiento

1680 El controlador también indica su tiempo total de funcionamiento. Para obtener esta lectura, pulse una vez el botón. El tiempo total del funcionamiento del controlador aparecerá indicado de forma numérica en días. Esta información seguirá apareciendo durante diez segundos; después volverá a aparecer la pantalla predeterminada con la vida restante de la lámpara UV. Tenga en cuenta que este valor no se puede reiniciar.

5.1.5 Fallo de lámpara UV (pantalla en blanco)

Cuando el sistema detecte un FALLO DE LÁMPARA UV (no habrá corriente en la lámpara UV), la pantalla se quedará en blanco (no aparecerá la pantalla predeterminada de VIDA RESTANTE DE LA LÁMPARA UV) y el sistema emitirá unos tonos audibles intermitentes (1 segundo encendido, 1 segundo apagado). El sistema permanecerá en este estado hasta que la condición se corrija.

Section 2 General Information

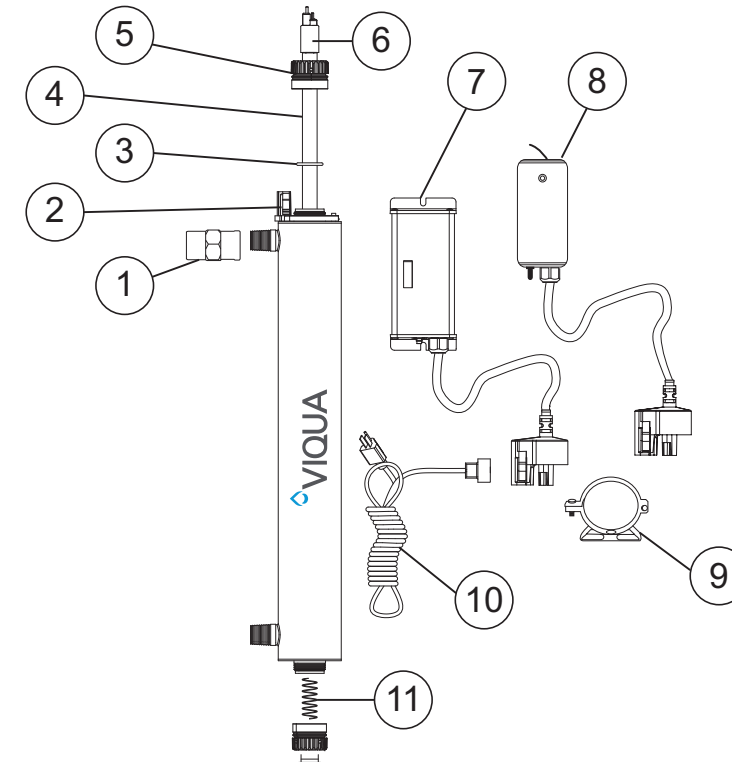


Figure 1 System Components

| Item | Description | Part Number | UV Systems |
|------|---|-------------|--|
| 1 | Flow restrictor (Only for certified models) | 440263-R | SV5Q-PA |
| | | 440264-R | SV8Q-PA |
| 2 | Lamp connector base | 270276-R | Used on all systems |
| 3 | O-ring | 410867 | Used on all systems |
| 4 | Open-ended, 214 fused quartz sleeves with fire polished ends | QS-001 | S1Q-PA |
| | | QS-330 | S2Q-PA |
| | | QS-463 | S5Q-PA, SV5Q-PA |
| | | QS-810 | S8Q-PA, SV8Q-PA |
| 5 | Retaining nut | RN-001 | Used on all systems |
| 6 | Hard glass, coated Sterilumze®-EX UV lamps for long, consistent life (9000 hours) | S330RL | S2Q-PA |
| | | S463RL | S5Q-PA, SV5Q-PA |
| | | S810RL | S8Q-PA, SV8Q-PA |
| 7 | Controller (for 100-240V models only) | BA-ICE-S | S5Q-PA, S8Q-PA, SV5Q-PA, SV8Q-PA |
| 8 | Controller (for 12VDC models only) | BA-RO/P/12 | S2Q-P/12VDC, S5Q-P/12VDC |
| 9 | 2.5" Mounting brackets | 410958-R | Used on all systems |
| 10 | IEC replacement power cords for VIQUA ICE Controller (sold separately) | 260010 | NORTH AMERICAN (NEMA 5-15P), 3-PRONG GROUNDED |
| | | 602637 | CONTINENTAL EUROPEAN (CEE 7/7) 2-PIN WITH GROUND, "SCHUKO" |
| | | 260012 | UK VERSION (BS 1363) 3-PRONG GROUNDED (5 AMP FUSE) |
| | | 260013 | AUSTRALIAN VERSION (AS 3112) 3-PRONG GROUNDED |
| | | 260019 | NO CONNECTOR, 3-WIRE, BARE LEADS |
| 11 | Spring | SP008 | Used on all systems |

Section 3 Installation

3.1 UV Disinfection System

CAUTION



Electronic controller must be connected to a Ground Fault Protected Circuit (GFCI) receptacle. Ensure green ground wire ring terminal is securely fastened to ground stud on UV chamber.

The disinfection system is designed to be mounted either horizontally or vertically at the point-of-use or point-of-entry depending on the specific flow rate of the unit.

Note: The ideal installation is vertical with the lamp connector on top. This is to prevent water damage from occurring on the lamp pins and lamp connector.

- The controller should be mounted either above or beside the UV chamber. Always mount controller horizontally to prevent moisture from running down cordage and causing a potential fire hazard. Drip loops in all cordage connected to controller is highly recommended. Refer to [Figure 5](#).
- The complete water system, including any pressure or hot water tanks, must be sterilized before start up by flushing with chlorine (household bleach) to destroy any residual contamination. Refer to [Section 3.2](#).
- The disinfection system is intended for indoor use only. DO NOT install disinfection system where it may be exposed to the weather.
- Install the disinfection system on cold water line only, before any branched lines.
- A 5 micron sediment filter must precede the disinfection system. Ideally, the disinfection system should be the last treatment the water receives before it reaches the faucet.

Procedure:

1. [Figure 2](#) shows the installation of a typical disinfection system and the related components that may be used for the installation. The use of a by-pass assembly is recommended in case the system requires “off-line” maintenance. In this case, note the system requires supplementary disinfection for the distribution system if any water is used during by-pass condition. In addition, during by-pass, the water will NOT be disinfected and a “DO NOT CONSUME THE WATER” tag should be physically installed on the by-pass assembly until such time as the system is sanitized and returned to service. For more information, refer to [Section 3.2](#). If the water is to be consumed while the system is off-line, the water must be boiled for two minutes prior to consumption.

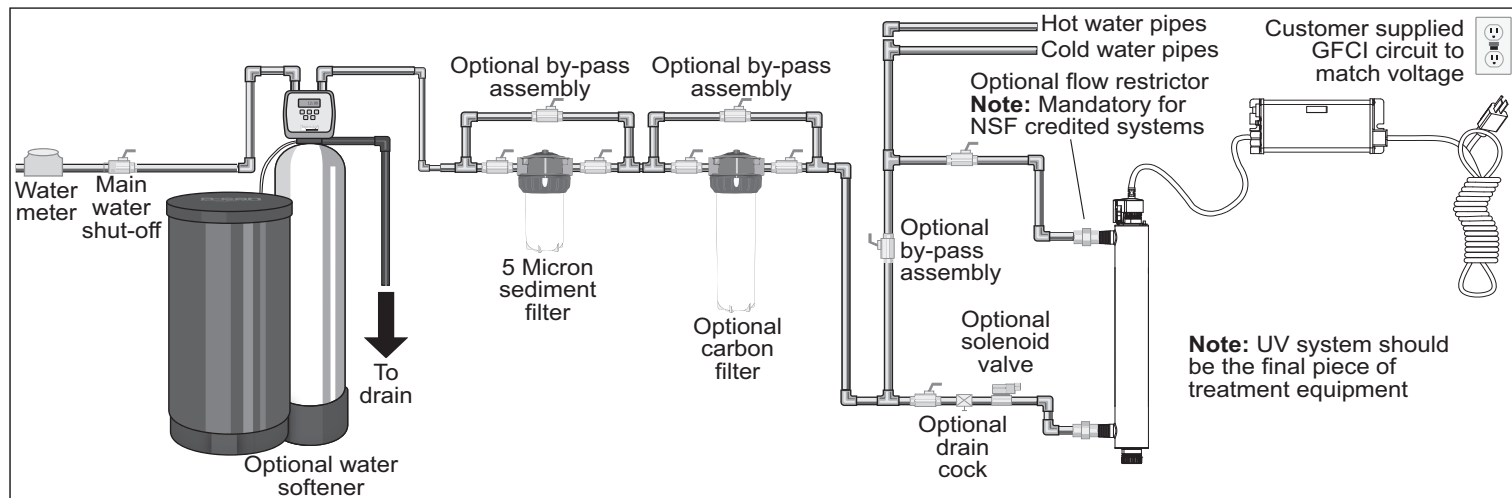


Figure 2 Disinfection System

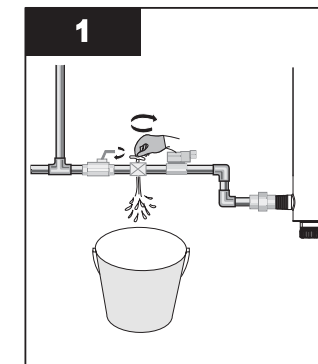
4.2 Limpieza y reposición de la vaina tubular de cuarzo

Nota: Los minerales del agua van formando lentamente una capa en la vaina tubular de cuarzo de la lámpara. Esta capa debe retirarse porque reduce la cantidad de luz UV que llega al agua, reduciendo de este modo el rendimiento de la desinfección. Si la vaina tubular no puede limpiarse, deberá reemplazarse por otra.

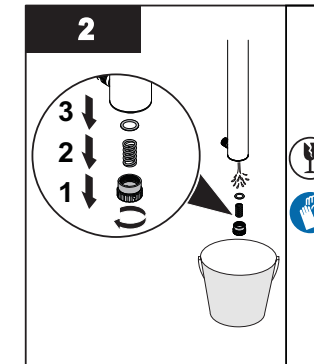
Requisitos previos:

- Cortar el suministro de agua y drenar todas las líneas.
- Quitar la lámpara UV. Consulte [Sección 4.1](#).

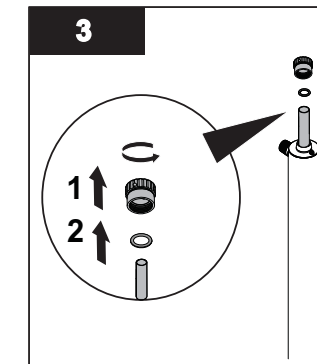
Procedimiento:



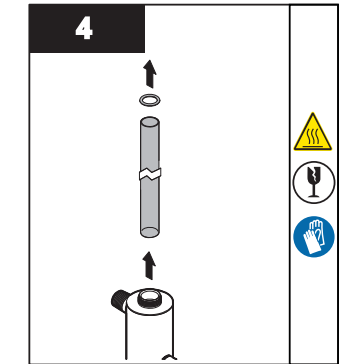
- Drene la cámara usando el puerto de drenaje.



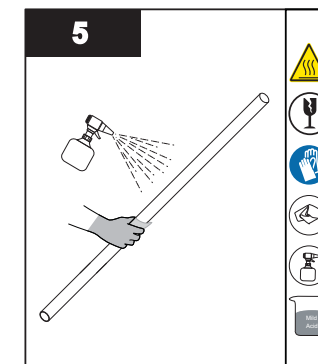
- Quite la tuerca de retención, el muelle flotante y la junta tórica de la parte inferior.



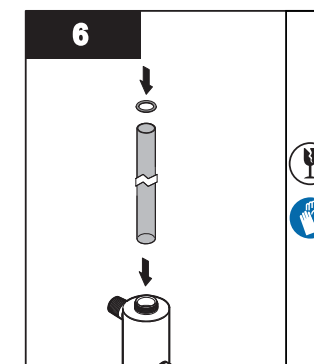
- Quite la tuerca de retención y la junta tórica de la parte superior.



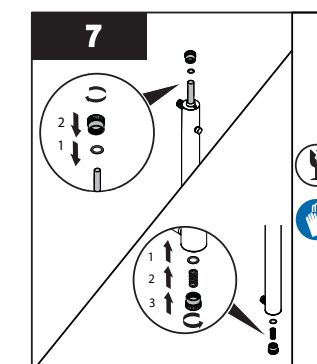
- Con cuidado, quite la junta tórica adhiriéndola a la vaina tubular de cuarzo.
- Quite la vaina tubular de cuarzo.



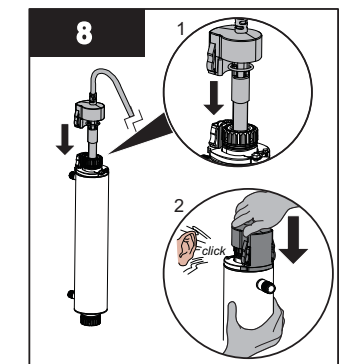
- Limpie la vaina tubular de cuarzo con un trapo empapado en CLR, vinagre u otro ácido blando, y a continuación, aclárela con agua.
- Nota:** Si no es posible limpiar la vaina tubular por completo o si se raya o se quiebra, reemplácela.



- Vuelva a instalar la vaina tubular de cuarzo en la cámara de tal forma que sobresalga la misma distancia por ambos extremos de la cámara.
- Pase las juntas tóricas suministradas por cada extremo de la vaina tubular de cuarzo.



- Vuelva a instalar las tuercas de retención, el muelle flotante y las juntas tóricas de la parte superior e inferior, respectivamente.
- Cuando haya finalizado el servicio, realice los pasos que aparecen en los requisitos previos en orden inverso al desmontaje.



- Empuje el conector de la lámpara contra la base del conector hasta que se oiga un clic.
- Enchufe el conector y compruebe la pantalla LED de ENCENDIDO.
- Vuelva a realizar la presurización del sistema para comprobar si hay fugas.

Nota: Tras reemplazar la lámpara UV o la vaina tubular de cuarzo, realice el procedimiento de desinfección y consulte la [Sección 3.2](#).

Sección 4 Mantenimiento

⚠️ ADVERTENCIA



- Desconecte siempre la corriente antes de llevar a cabo cualquier trabajo en el sistema de desinfección.
- Corte siempre el flujo de agua y libere la presión del agua antes de realizar el servicio.
- Examine con frecuencia el sistema de desinfección para asegurar que los indicadores de corriente estén encendidos y que no hay ninguna alarma.
- Reemplace la lámpara UV anualmente (o cada dos años si se trata de un uso casero temporal) para garantizar la máxima desinfección.
- Drene siempre la cámara al cerrar la temporada o al dejar la unidad en un área sujeta a temperaturas de congelación.

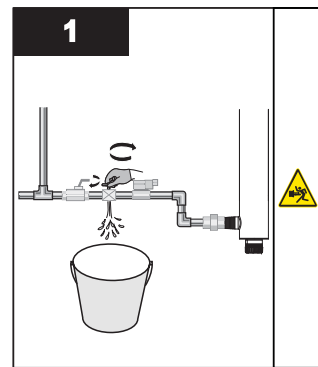
4.1 Reemplazo de la lámpara UV

AVISO

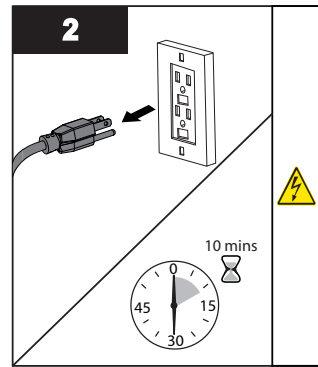
- Una vez sustituida la lámpara UV, reinicie el temporizador de la vida útil de la lámpara UV. Consulte [Sección 5.1.3](#). Consulte en www.lamprecycle.org cómo desechar la lámpara UV.
- NO utilice agua durante la reposición de la lámpara UV.

La reposición de la lámpara UV es un procedimiento rápido y sencillo que no necesita herramientas especiales. Se debe reemplazar la lámpara después de 9000 horas de funcionamiento continuo (un año aproximadamente) con el fin de garantizar una desinfección adecuada.

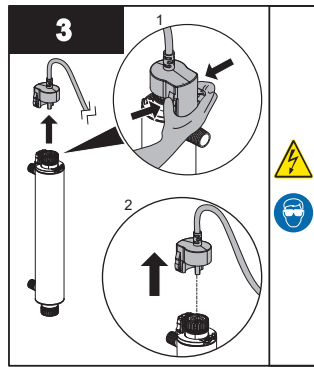
Procedimiento:



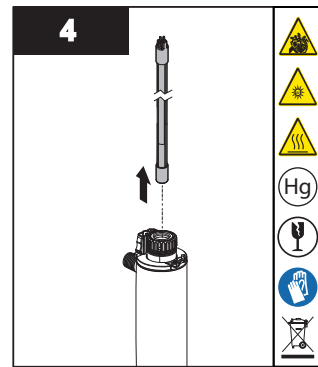
- Corte la línea de agua de la cámara y libere la presión del sistema antes de realizar el servicio.



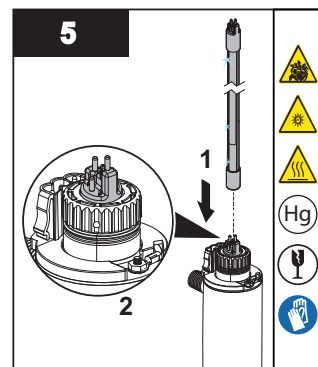
- Desconecte la fuente de alimentación principal y deje que la unidad se enfríe durante 10 minutos.



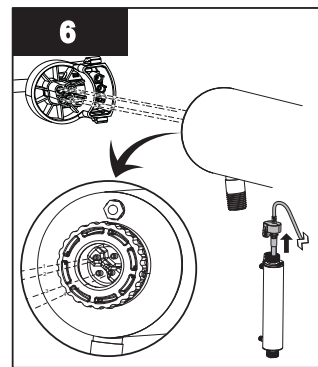
- Quite el conector de la lámpara presionando las pestañas de bloqueo de plástico del lado del conector.



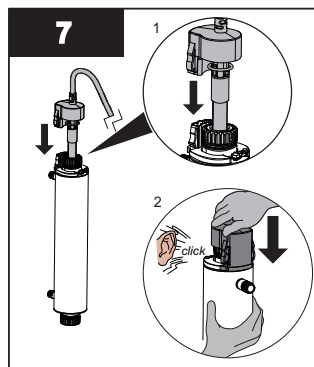
- Quite la lámpara tirando hacia arriba de la cámara y de la base del conector de la lámpara.
- Sujete siempre la lámpara por los extremos de cerámica.



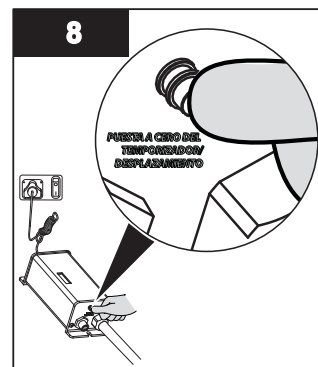
- Introduzca por completo la lámpara nueva en la cámara de manera que la lámpara sobresalga aproximadamente 5 cm de la cámara.



- Conecte el conector a la lámpara teniendo en cuenta que solo se instalará correctamente en una posición.



- Empuje el conector de la lámpara contra la base del conector hasta que se oiga un clic.
- Vuelva a realizar la presurización del sistema para comprobar si hay fugas.



- Mantenga pulsado el botón de reinicio del temporizador y vuelva a aplicar alimentación al controlador hasta que vea [555] a continuación, suelte el botón.
- Después de un retardo de 5 segundos, oír un tono audible y en la pantalla LED volverá a leerse la indicación [365].

2. Select a suitable location for the disinfection system and its related components. As it is recommended to install a GFCI, make sure that this is taken into consideration prior to any installation. The system can either be installed vertically (inlet port at the bottom) as shown in [Figure 3 A](#), or horizontally as shown in [Figure 3 B](#). However, the vertical installation is the most preferred method. When selecting a mounting location, leave enough space to allow the removal of the UV lamp and/or quartz sleeve (typically leave a space equal to the size of the UV chamber itself).

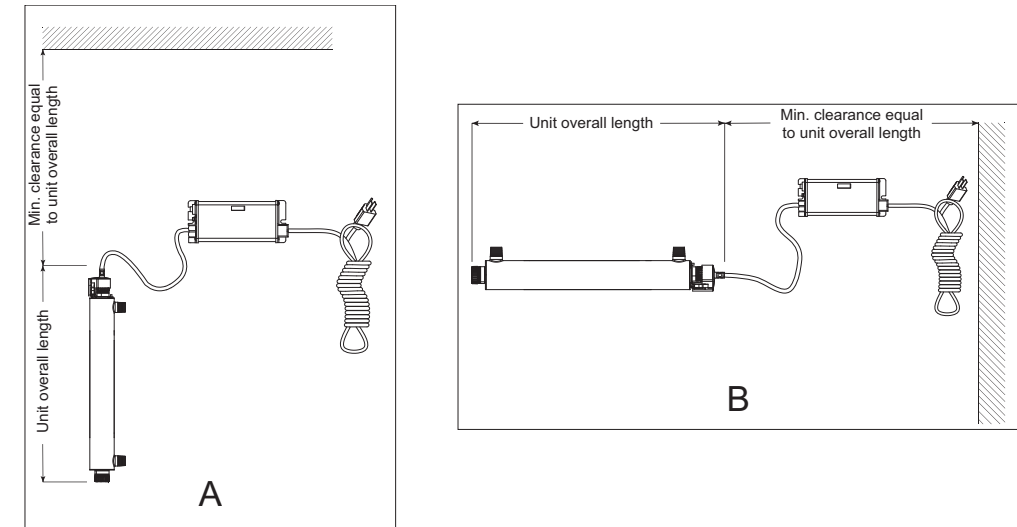


Figure 3 Disinfection Installation - Vertical and Horizontal

3. Mount the system to the wall using the supplied clamps. Various connection methods can be used to connect the water source to the system, however union type connectors are recommended. The use of a flow restrictor device will help to maintain the manufacturers rated flow. The flow restrictor should be installed on the outlet port and is designed to be installed in one direction only. Ensure that the flow of the water matches the flow direction as indicated on the flow restrictor. Refer to [Figure 4](#).

Note: DO NOT solder connections while attached to the system as this could damage the O-ring seals.

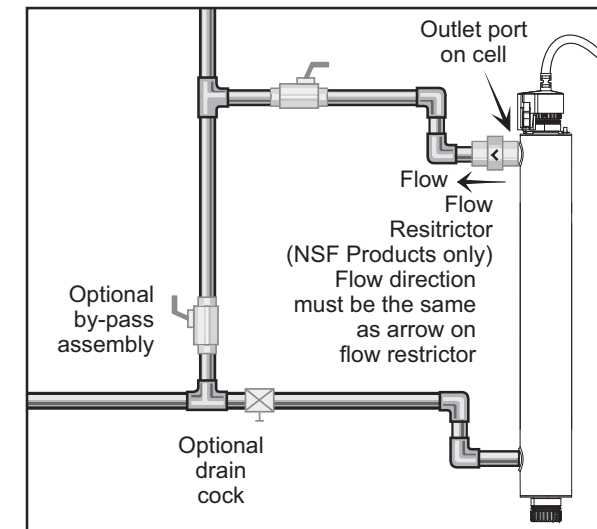


Figure 4 Flow Restrictor

4. Mount the VIQUA ICE controller horizontally to the wall, near the UV chamber. Ideally place the controller above the chamber and away from any water connection point, to prevent any water from potentially leaking onto the controller by means of a leak at a connection point or a "sweating" system. Make sure you allow for a "drip-loop" as shown in [Figure 5](#) on the UV lamp, UV sensor, and power cord, again, to prevent any water from potentially entering the controller.

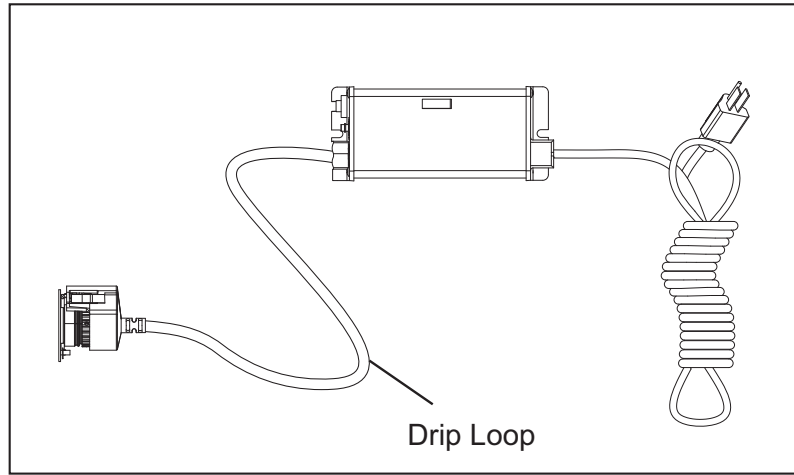


Figure 5 Drip Loop

5. Install the UV lamp. Refer to [Section 4.1](#).
6. When all plumbing connections are complete, slowly turn on the water supply and check for leaks. The most likely cause of leaks is from the O-ring seal. In case of a leak, shut water off, drain cell, remove the retaining nut, wipe the O-ring and threads. Clean and re-install.
7. Once it is determined that there are no leaks, plug the system into the ground fault interrupter and check controller to ensure the system is operating properly. The controller should illuminate without any alarms.

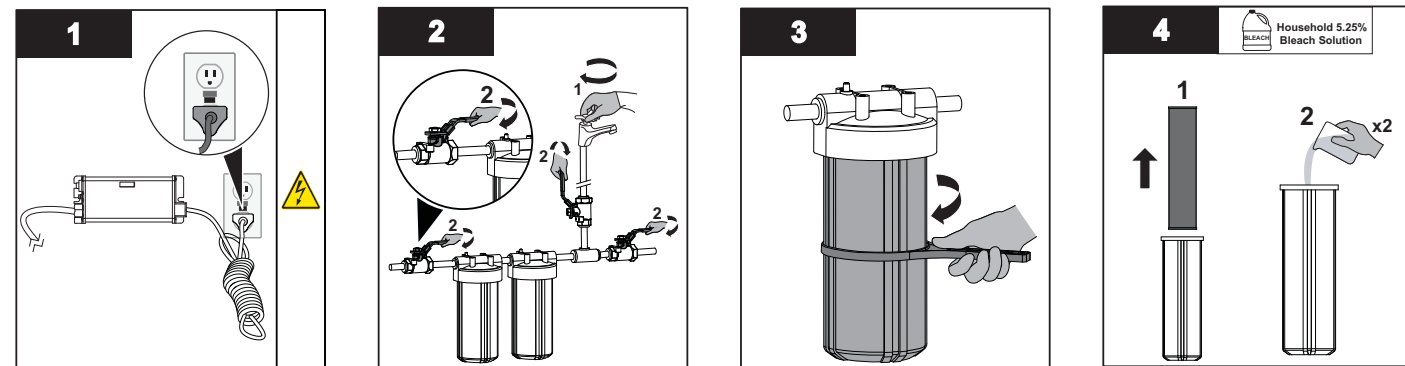
Note: DO NOT look directly at the glowing UV lamp.

8. Allow the water to run for a few minutes to clear any air or dust that may be in the UV chamber.

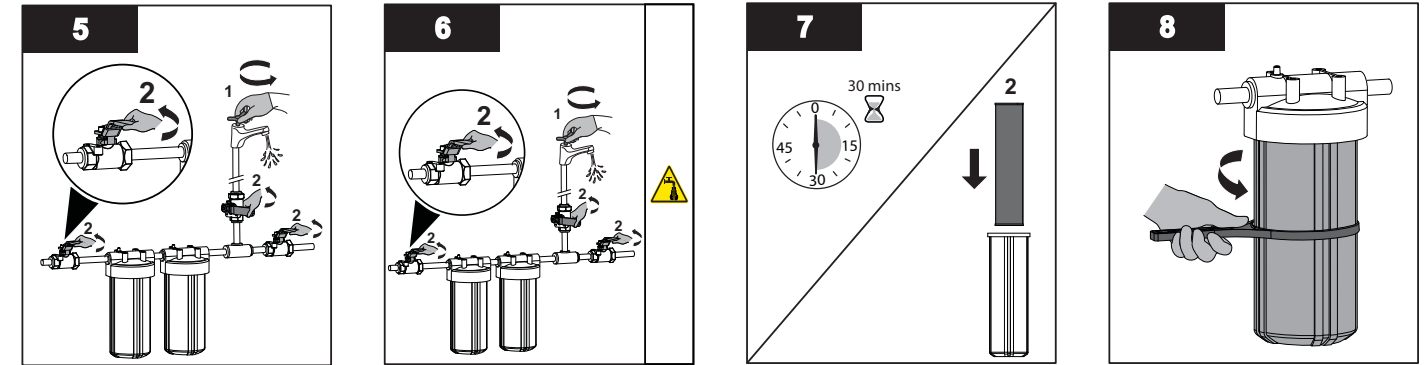
Note: When there is no flow, the water in the cell will become warm, as the UV lamp is always on. To remedy this, run a cold water tap anywhere in the house for a minute to flush out the warm water.

3.2 Disinfection Procedure

UV disinfection is a physical disinfection process and does not add any potentially harmful chemicals to the water. As UV does not provide a disinfection residual, it is imperative that the entire distribution system located after the UV be chemically disinfected to ensure that the plumbing system is free from any bacteriological contaminants. The disinfection process must be performed immediately after the UV unit is installed and repeated thereafter whenever the UV is shut down for service, without power, or inoperative for any reason. The procedure for sanitizing the plumbing system is readily accomplished as follows:



1. Ensure the controller is plugged in for entire disinfection process.
2. Shut off the water supply. Close each faucet.
3. Remove filter cartridge(s).
4. Pour 2 cups of household bleach solution into the filter housing(s).
Note: DO NOT use Hydrogen Peroxide.



5. Vuelva a instalar las carcasas. Encienda el suministro de agua fría. Abra cada grifo y todas las aperturas de agua hasta que huela la lejía y, a continuación, cierre los grifos.
6. Encienda el suministro de agua caliente. Abra cada grifo y todas las aperturas de agua hasta que huela la lejía y, a continuación, cierre los grifos.
7. NO utilice agua durante 30 minutos. Limpie el sistema hasta que no se detecte olor a cloro, y vuelva a instalar los filtros.
8. Vuelva a instalar las carcasas de los filtros.

Notas: 1) La adición de cloro (lejía) a un tanque de agua caliente en el que anteriormente se haya vertido agua no potable sin tratar con altos niveles de otros contaminantes (hierro, manganeso, sulfuro de hidrógeno, orgánicos, etc.) dará lugar a la oxidación de dichos contaminantes y es posible que sea necesaria una limpieza repetida del tanque de agua caliente. Esta eventualidad se debe tratar de forma independiente bajo el procedimiento de puesta en funcionamiento para cualquier otro acondicionador que pueda formar parte del tratamiento previo para la unidad UV.

2) El procedimiento de desinfección anterior dará lugar a un residuo de cloro masivo muy superior a los 0,5 y 1,0 mg/L normalmente presentes en el agua clorada por el municipio y a una magnitud consistente en la solución de cloro mínima de 50 mg/L recomendada para la desinfección de sistemas de distribución contaminados. NO consuma agua hasta que no se haya limpiado todo el sistema.

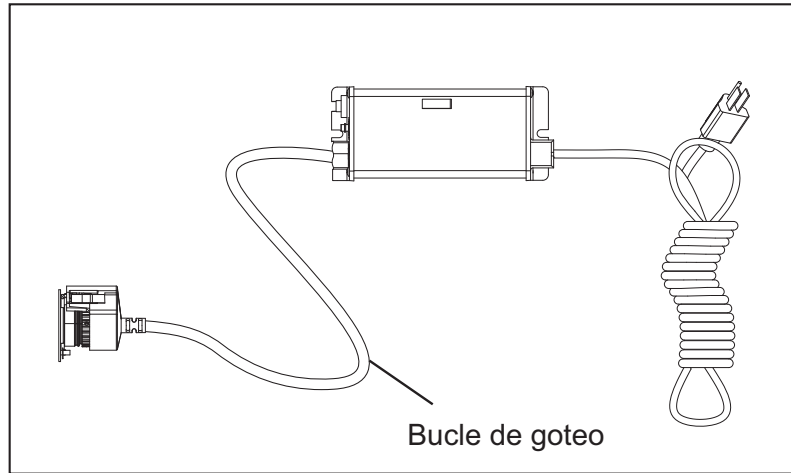


Figura 5 Bucle de goteo

5. Instale la lámpara UV. Consulte [Sección 4.1](#).
6. Cuando se hayan realizado todas las conexiones de tuberías, conecte el suministro de agua lentamente y compruebe si hay fugas. La causa más probable de fugas está en la junta tórica. En caso de que haya una fuga, corte el agua, drene la célula, quite la tuerca de retención y limpie la junta tórica y las roscas. Limpie y vuelva a instalar.
7. Una vez que se haya determinado que no hay fugas, conecte el sistema en el interruptor de circuito de fallos de conexión a tierra y compruebe el controlador para asegurarse de que el sistema funcione correctamente. El controlador debería estar iluminado sin ninguna alarma.
Nota: NO mire nunca directamente una lámpara UV encendida.
8. Deje que corra el agua durante unos minutos para limpiar el aire o el polvo que pueda haber en la cámara UV.
Nota: Cuando no haya flujo, el agua de la célula se calentará ya que la lámpara UV siempre está encendida. Para solucionar esto, deje correr agua fría en un grifo de cualquier parte de la casa durante un minuto para drenar el agua caliente.

3.2 Procedimiento de desinfección

La desinfección UV es un proceso de desinfección física que no añade sustancias químicas potencialmente dañinas al agua. Dado que la tecnología UV no proporciona residuos de desinfección, es imprescindible que se desinfecte químicamente todo el sistema de distribución situado después de UV para asegurar que el sistema de tuberías esté libre de cualquier contaminante bacteriológico. Se debe llevar a cabo el proceso de desinfección inmediatamente después de instalar la unidad de UV. Asimismo, se debe repetir un poco después cuando la UV deje de funcionar por el servicio, cuando no haya energía o cuando no esté operativa por algún motivo. El procedimiento para sanear el sistema de tuberías se realiza rápidamente del siguiente modo:

1

- Asegúrese de que el controlador esté conectado durante todo el proceso de desinfección.

2

- Corte el suministro de agua.
- Cierre los grifos.

3

- Quite los cartuchos de los filtros.

4

- Vierta dos vasos de solución de lejía de uso doméstico en las carcasas de filtro.

Nota: NO utilice peróxido de hidrógeno.

5

- Re-install the housings.
- Turn on the cold water supply.
- Open each faucet and all water openings until you smell the bleach and then close the faucets.

6

- Turn on the hot water supply.
- Open each faucet and all water openings until you smell the bleach and then close the faucets.

7

- DO NOT use water for 30 minutes.
- Flush the system until no chlorine smell is detectable and reinstall the filters.

8

- Reinstall filter housing(s).

- Re-install the housings.
- Turn on the cold water supply.
- Open each faucet and all water openings until you smell the bleach and then close the faucets.
- Turn on the hot water supply.
- Open each faucet and all water openings until you smell the bleach and then close the faucets.
- DO NOT use water for 30 minutes.
- Flush the system until no chlorine smell is detectable and reinstall the filters.
- Reinstall filter housing(s).

- Notes:** 1) The addition of chlorine (bleach) to a hot water tank that has in the past been fed with untreated raw water with high levels of other contaminants (iron, manganese, hydrogen sulphide, organics, etc.) will result in oxidation of these contaminants and may require repeated flushing of the hot water tank. This contingency must be dealt with independently under the start-up procedure for any other conditioners that may form a part of the pre-treatment for the UV unit.
- 2) The above disinfection procedure will result in a massive chlorine residual far in excess of the 0.5 to 1.0 mg/L typically present in municipally chlorinated water and of a magnitude consistent with the minimum 50 mg/L chlorine solution recommended for the disinfection of distribution systems known to be contaminated. DO NOT consume water until complete system has been flushed.

Section 4 Maintenance

⚠ WARNING



- Always disconnect power before performing any work on the disinfection system.
- Always shut-off water flow and release water pressure before servicing.
- Regularly inspect your disinfection system to ensure that the power indicators are on and no alarms are present.
- Replace the UV lamp annually (or biennially if seasonal home use) to ensure maximum disinfection.
- Always drain the chamber when closing a seasonal home or leaving the unit in an area subject to freezing temperatures.

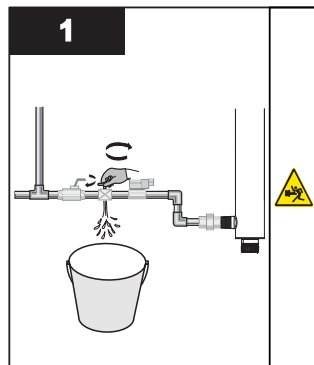
4.1 Replacing UV Lamp

NOTICE

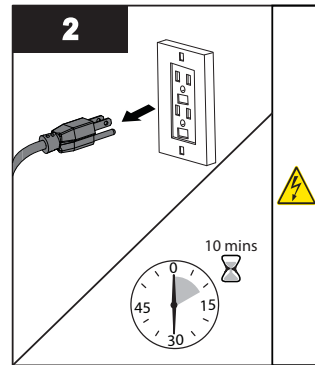
- Reset UV lamp life timer after UV lamp replacement. Refer to Section 5.1.3. Refer to www.lamprecycle.org for UV lamp disposal.
- DO NOT use water during replacement of UV lamp.

UV lamp replacement is a quick and simple procedure requiring no special tools. The UV lamp must be replaced after 9000 hours of continuous operation (approximately one year) in order to ensure adequate disinfection.

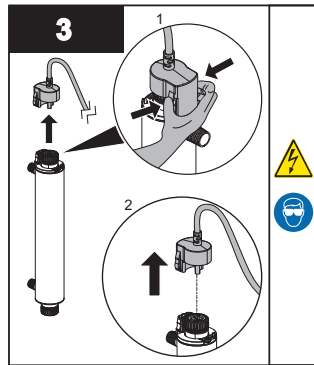
Procedure:



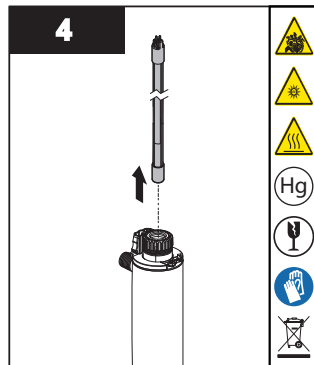
- Shut off the water line to chamber and release system pressure before servicing.



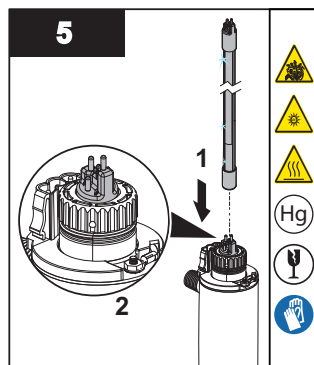
- Disconnect main power source and allow the unit to cool for 10 minutes.



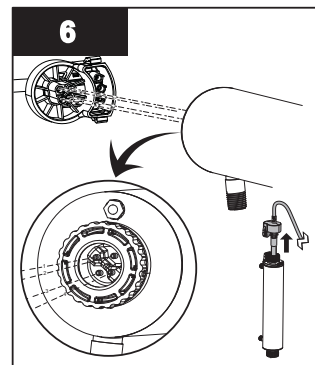
- Remove the lamp connector by squeezing the plastic locking tabs on the side of the connector.



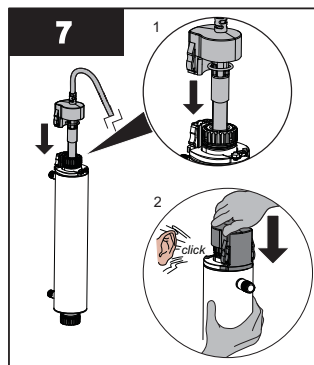
- Remove the lamp in upward direction from the chamber and lamp connector base.
- Always hold the lamp at the ceramic ends.



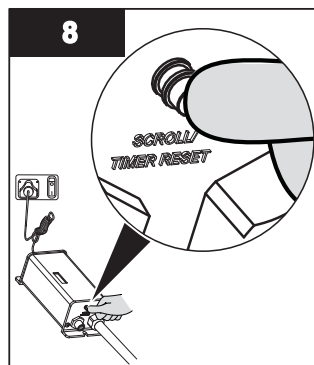
- Insert the new lamp fully into the chamber leaving about two inches of the lamp protruding from the chamber.



- Attach the connector to the lamp and note that the connector will only allow correct installation in one position.



- Push the lamp connector against lamp connector base together until an audible click is heard.
- Re-pressurize the system to check for leaks.



- Hold down the timer reset button and reapply power to the controller until you hear an audible tone and LED display will read once again [365].

2. Seleccione una ubicación adecuada para el sistema de desinfección y sus componentes relacionados. Como se recomienda instalar un GFCI, asegúrese de que esto se tiene en cuenta antes de cualquier instalación. El sistema se puede instalar en posición vertical (con el puerto de entrada abajo) como se indica en [Figura 3 A](#) o en posición horizontal, como se indica en [Figura 3 B](#). Pero el método de preferencia es el de la instalación vertical. Cuando seleccione una ubicación de montaje, deje suficiente espacio para que se pueda extraer la lámpara UV o la vaina tubular de cuarzo (normalmente se debe dejar un espacio del tamaño de la cámara UV).

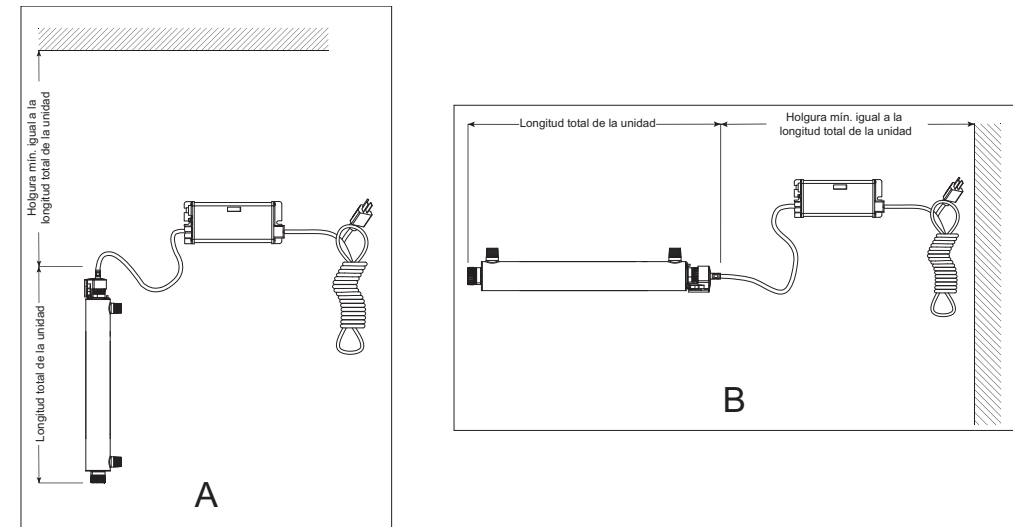


Figura 3 Instalación del sistema de desinfección: vertical y horizontal

3. Monte el sistema en la pared con las grapas suministradas. Para conectar la fuente de agua al sistema se pueden usar varios métodos de conexión, sin embargo, se recomiendan los conectores de unión. El uso de un dispositivo limitador del caudal ayuda a mantener el caudal nominal del fabricante. El limitador de caudal debe instalarse en el puerto de salida y está diseñado para instalarse en una sola dirección. Asegúrese de que el flujo del agua coincide con la dirección de flujo indicada en el limitador de caudal. Consulte [Figura 4](#).

Nota: NO suelde las conexiones mientras estén sujetas al sistema ya que podría dañar las juntas tóricas.

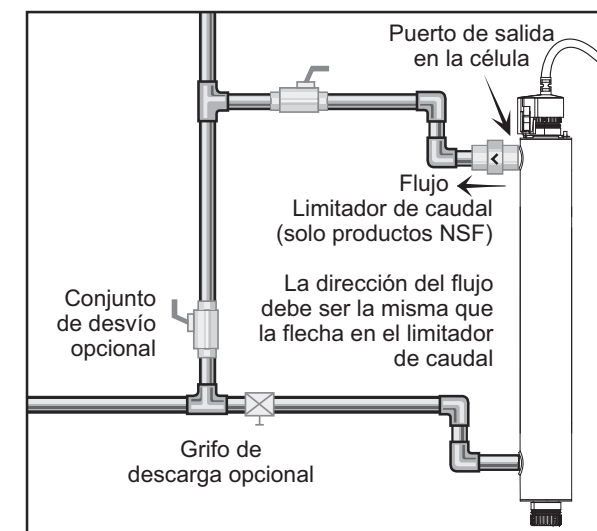


Figura 4 Limitador de caudal

4. Monte el controlador VIQUA ICE de forma horizontal a la pared, cerca de la cámara UV. Lo ideal sería colocar el controlador sobre la cámara y lejos de cualquier punto de conexión de agua para evitar que se vierta agua en el controlador por medio de fugas en un punto de conexión o un sistema de "transpiración". Asegúrese de permitir un "bucle de goteo", como se muestra en [Figura 5](#), en la lámpara UV, el sensor UV y el cable para evitar, de nuevo, que entre agua en el controlador.

Sección 3 Instalación

3.1 Sistema de desinfección UV

⚠ PRECAUCIÓN

El controlador electrónico se debe conectar a un receptáculo de circuito de protección de fallos de conexión a tierra (GFCI). Asegúrese de que el anillo de cable de conexión a tierra verde se conecte firmemente al broche de conexión a tierra de la cámara UV.

El sistema de desinfección está diseñado para montarse en posición horizontal o vertical en el punto de uso o punto de entrada en función del caudal específico de la unidad.

Nota: La instalación ideal es la vertical con el conector de la lámpara arriba. Así se evita que el agua dañe las clavijas y el conector de la lámpara.

- El controlador se debe montar encima o al lado de la cámara UV. Siempre monte el controlador horizontalmente para evitar que la humedad se filtre por la canalización de los cables y provoque un peligro de incendio. Es muy recomendable usar bucles de goteo en los cables conectados al controlador. Consulte [Figura 5](#).
- El sistema de agua completo, incluidos los depósitos de presión o agua caliente, se deben esterilizar antes de la puesta en marcha. Para ello, enjuague con cloro (lejía doméstica) para destruir toda contaminación residual. Consulte [Sección 3.2](#).
- El sistema de desinfección está diseñado para uso exclusivamente en interiores. NO instale este sistema de desinfección en una ubicación en la que quedará expuesto a la intemperie.
- Instale el sistema de desinfección solo en la línea de agua fría, antes de que se ramifiquen las líneas.
- Un filtro de sedimento de 5 micrones debe preceder el sistema de desinfección. Idealmente, el sistema de desinfección debería ser el último tratamiento que reciba el agua antes de llegar al grifo.

Procedimiento:

1. En la [Figura 2](#) se muestra la instalación de un sistema de desinfección típico y los componentes relacionados que se pueden usar para la instalación. Se recomienda el uso de un conjunto de desvío en el caso de que el sistema requiera mantenimiento "fuera de línea". En dicho caso, tenga en cuenta que el sistema requiere una desinfección adicional para el sistema de distribución si se usa agua durante la condición de desvío. Además, durante el desvío, el agua NO se desinfectará y se deberá colocar físicamente la etiqueta "NO CONSUMIR EL AGUA" en el conjunto de desvío hasta que el sistema se haya saneado y puesto en servicio nuevamente. Para obtener más información, consulte [Sección 3.2](#). Si el agua se va a consumir mientras el sistema está fuera de línea, se deberá hervir durante dos minutos antes del consumo.

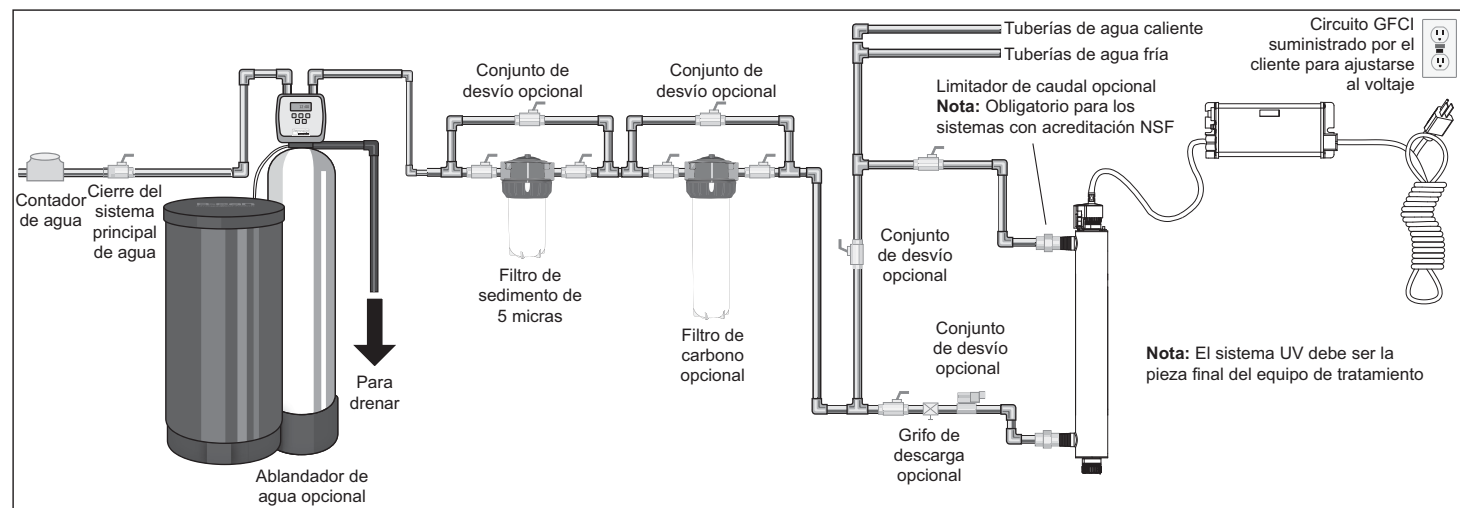


Figura 2 Sistema de desinfección

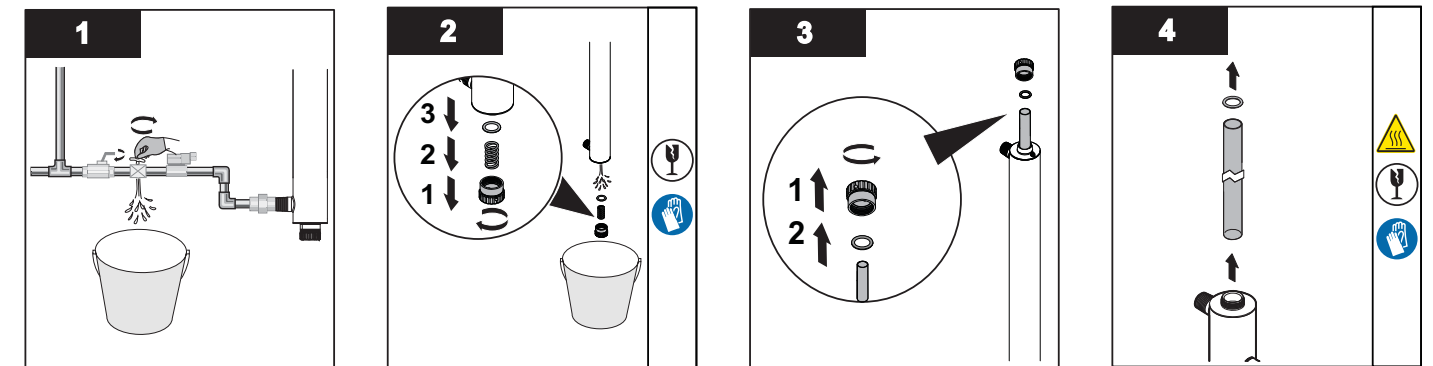
4.2 Cleaning and Replacing Quartz Sleeve

Note: Minerals in the water slowly form a coating on the quartz sleeve. This coating must be removed because it reduces the amount of UV light reaching the water, thereby reducing disinfection performance. If the sleeve can not be cleaned, it must be replaced.

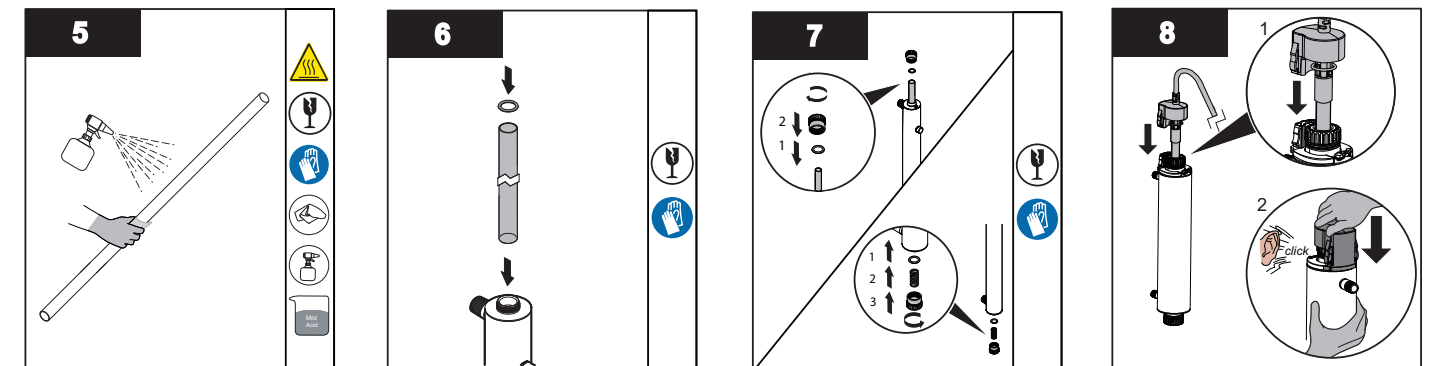
Prerequisites:

- Shut off water supply and drain all lines.
- Remove the UV lamp. Refer to [Section 4.1](#).

Procedure:



- Drain the chamber by using the drain port.
- Remove the bottom retaining nut, floating spring, and O-ring.
- Remove the top retaining nut and O-ring.
- Carefully, remove O-ring adhering to the quartz sleeve.
- Remove the quartz sleeve.



- Clean the quartz sleeve with a cloth soaked in CLR, vinegar or some other mild acid and then rinse with water.
- Reinstall the quartz sleeve in the chamber allowing the sleeve to protrude an equal distance at both ends of the chamber.
- Reinstall the top and bottom retaining nuts, floating spring, and O-rings respectively.
- Slide supplied O-rings onto each end of the quartz sleeve.
- When service is complete, assemble the prerequisites in the reverse order of disassembly.
- Push the lamp connector against lamp connector base together until an audible click is heard.
- Plug in controller and verify the POWER-ON LED display.
- Re-pressurize the system to check for leaks.

Note: After replacing the UV lamp or quartz sleeve perform the disinfection procedure, refer to [Section 3.2](#).

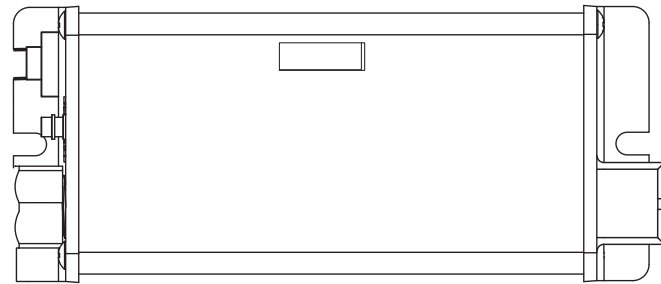
Section 5 Operation

⚠ WARNING



The advanced warning system has been installed to provide the optimum protection against microbiological contamination in water. DO NOT disregard the warning signals. The best way to ensure optimum UV performance is to have the water microbiologically tested by a recognized testing agency on a regular basis.

5.1 Basic Systems Incorporating BA-ICE-S Controller



5.1.1 UV lamp Life Remaining (days)

365 The controller tracks the number of days of operation of the UV lamp and the controller. The default screen will display the total UV lamp life remaining (in days). The controller will count down the number of days remaining until the UV lamp requires changing (365 days to 1 day). At "0" days, the controller will display **A3** and sound an intermittent audible chirp (1 second on, 5 seconds off), indicating the need to change the UV lamp.

5.1.2 Understanding your "A3" Code

A3 DEFERRAL - Once the "A3" or end of UV lamp life message is shown on the LED display, the audible alarm can be deferred up to 4 separate times. The delay is designed to allow you time to address the alarm while you obtain a new UV lamp. This can be done by simply depressing the timer reset button for 5 seconds, which is located on the left side of the controller. Each time the timer reset button is pressed the controller alarm is deferred seven days. Once the final 7 day deferral has been reached the alarm can only be silenced by changing the UV lamp and manually resetting the controller timer, refer to [Section 4.1](#).

5.1.3 Resetting UV lamp Life

Refer to [Section 4.1](#).

Note: Even though the alarm on the system can be deferred for a period of time, it is important to address each and every alarm condition as they are indicating that there is a potential problem with the system and should be remedied.

5.1.4 Total Days of Operation

1680 The controller also displays the total running time of the controller. To obtain this reading, press the push-button once. The total running time of the controller will be numerically displayed in days. This information will remain displayed for ten seconds and will then revert back to the UV lamp life remaining default screen. It should be noted that this value cannot be reset.

5.1.5 UV lamp Failure (Blank Screen)

[Blank] When the system recognizes UV LAMP FAILURE (no current running through the UV lamp), the display will be blank **[Blank]** (no default UV LAMP LIFE REMAINING screen) and the system will sound an intermittent audible tones (1 second on, 1 second off). The system will remain in this state, until this condition is remedied.

Sección 2 Información general

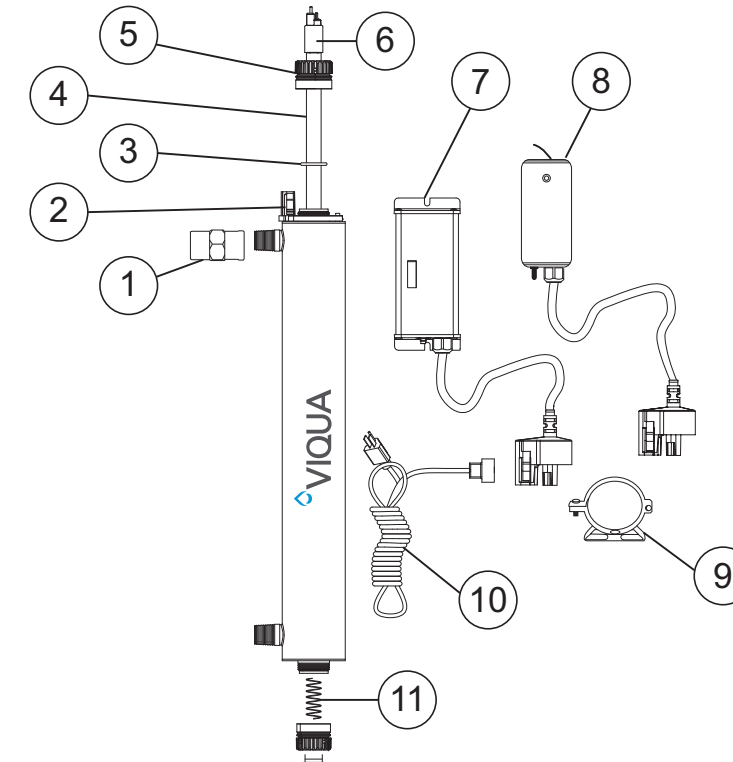


Figura 1 Componentes del sistema

| Elemento | Descripción | N.º pieza | Sistemas UV |
|----------|--|------------|--|
| 1 | Limitador de caudal (solo para modelos certificados) | 440263-R | SV5Q-PA |
| | | 440264-R | SV8Q-PA |
| 2 | Base de conector de lámpara | 270276-R | Se utiliza en todos los sistemas |
| 3 | Junta tórica | 410867 | Se utiliza en todos los sistemas |
| 4 | Vainas tubulares de cuarzo fusionado 214 de extremo abierto con extremos pulidos al fuego | QS-001 | S1Q-PA |
| | | QS-330 | S2Q-PA |
| | | QS-463 | S5Q-PA, SV5Q-PA |
| | | QS-810 | S8Q-PA, SV8Q-PA |
| 5 | Tuerca de retención | RN-001 | Se utiliza en todos los sistemas |
| 6 | Lámparas UV Sterilumze® -EX de cristal duro recubiertas para una larga vida coherente (9000 horas) | S330RL | S2Q-PA |
| | | S463RL | S5Q-PA, SV5Q-PA |
| | | S810RL | S8Q-PA, SV8Q-PA |
| 7 | Controlador (solo en los modelos de 100-240 V) | BA-ICE-S | S5Q-PA, S8Q-PA, SV5Q-PA, SV8Q-PA |
| 8 | Controlador (solo en los modelos de 12 VDC) | BA-RO/P/12 | S2Q-P/12VDC, S5Q-P/12VDC |
| 9 | Abrazaderas de montaje de 6,35 cm | 410958-R | Se utiliza en todos los sistemas |
| 10 | Cables de alimentación de sustitución IEC para controlador VIQUA ICE (se venden por separado) | 260010 | NORTEAMÉRICA (NEMA 5-15P), CON TOMA DE CONEXIÓN A TIERRA DE 3 CLAVIJAS |
| | | 602637 | EUROPA CONTINENTAL (CEE 7/7) CON TOMA DE CONEXIÓN A TIERRA DE 2 CLAVIJAS, "SCHUKO" |
| | | 260012 | VERSIÓN PARA REINO UNIDO (BS 1363) 3 TOMAS DE CONEXIÓN A TIERRA (5 FUSIBLES) |
| | | 260013 | VERSIÓN PARA AUSTRALIA (AS 3112) 3 TOMAS DE CONEXIÓN A TIERRA |
| | | 260019 | SIN CONECTORES, 3 HILOS, CABLES DESNUDOS |
| 11 | Muelle | SP008 | Se utiliza en todos los sistemas |

⚠️ ADVERTENCIA



Durante periodos prolongados sin flujo de agua, el agua del depósito se podría calentar excesivamente (aprox. 60 °C) y provocar quemaduras. Se recomienda hacer correr el agua hasta que se haya drenado el agua caliente del depósito. Durante esta operación, evite que el agua entre en contacto con la piel. Para eliminar esta condición, se puede instalar una válvula de temperatura en la salida del sistema UV.

⚠️ PRECAUCIÓN



El incumplimiento de estas instrucciones puede ocasionar lesiones leves o moderadas.

- Examine cuidadosamente el sistema de desinfección después de su instalación. No se debe enchufar si hay agua en las piezas que no están diseñadas para mojarse, por ejemplo, el controlador o el conector de la lámpara.
- Debido a las preocupaciones de expansión térmica y la degradación potencial del material debido a la exposición a rayos UV, es recomendable usar accesorios metálicos y canalización de cobre de al menos 25,4 cm en la salida de la cámara UV.

AVISO



- La lámpara UV en el interior del sistema de desinfección tiene una clasificación nominal con una vida eficaz de aproximadamente 9000 horas. Para garantizar una protección continua, reemplace la lámpara UV una vez al año.
- Los niños no deben usar el sistema UV ni deben jugar con él. Las personas con capacidades físicas, sensoriales y mentales reducidas, o las que carecen de experiencia y conocimientos, tampoco no deberían manipular el sistema UV a menos que hayan recibido supervisión o instrucción.
- CABLES ALARGADORES:** Si es necesario usar un cable alargador, utilice únicamente cables de 3 hilos con tomas de conexión a tierra de 3 clavijas y conectores de cable de 3 polos que acepten la toma de este sistema. Utilice solo cables alargadores diseñados para uso en exteriores. Utilice solo cables alargadores con una clasificación eléctrica superior a la clasificación del sistema. Un cable con una clasificación de menos amperios o vatios que los del sistema puede sobrecalentarse. Tenga cuidado a la hora de colocar el cable para evitar que las personas tropiecen o tiren de él. NO use cables alargadores dañados. Examine el cable alargador antes de usarlo y reemplácelo si está dañado. NO abuse del cable alargador. Mantenga el alargue alejado de fuentes de calor y cantos agudos. Desconecte siempre el cable alargador del receptáculo antes de desconectar el sistema del alargador. No tire nunca del cable para desenchufarlo. Sujete siempre la toma y tire de ella para desconectar.
- PROTECCIÓN DEL SISTEMA:** Para proteger el controlador, se recomienda el uso de un supresor de tensiones transitorias certificado por UL1449 o equivalente.
- La lámpara UV de este sistema cumple las disposiciones vigentes de los requisitos del Código de reglamentos federales (CFR) de Estados Unidos, incluido el título 21, capítulo 1, subcapítulo J sobre salud radiológica.
- Lea y comprenda el manual del propietario antes de usar este equipo y realizar tareas de mantenimiento en él.

1.3 Química del agua

La calidad del agua es muy importante para el rendimiento óptimo del sistema UV. Se recomiendan los siguientes niveles para la instalación:

| Calidad del agua y minerales | Nivel |
|------------------------------|--|
| Hierro | < 0,3 ppm (0,3 mg/L) |
| Dureza* | < 7 gpg (120 mg/L) |
| Turbiedad | < 1 NTU |
| Manganeso | < 0,05 ppm (0,05 mg/L) |
| Taninos | < 0,1 ppm (0,1 mg/L) |
| Transmisión UV | > 75 % (póngase en contacto con la fábrica para conocer las recomendaciones para aplicaciones con TUV < 75%) |

* Cuando la dureza total es inferior a 7 gpg, la unidad UV debería funcionar de manera eficaz, siempre y cuando la vaina tubular de cuarzo se limpie periódicamente. Si la dureza total supera los 7 gpg, el agua se debería ablandar. Si la química del agua presenta niveles superiores a los indicados anteriormente, se recomienda realizar un tratamiento previo adecuado para corregir estos problemas del agua antes de instalar el sistema de desinfección UV. Estos parámetros de calidad del agua los puede probar su distribuidor local o la mayoría de los laboratorios de análisis privados. *El tratamiento previo adecuado es fundamental para el funcionamiento correcto del sistema de desinfección UV.*

5.2 12VDC Systems Incorporating BA-RO/P/12 Controller



Green LED indicates UV lamp "ON".

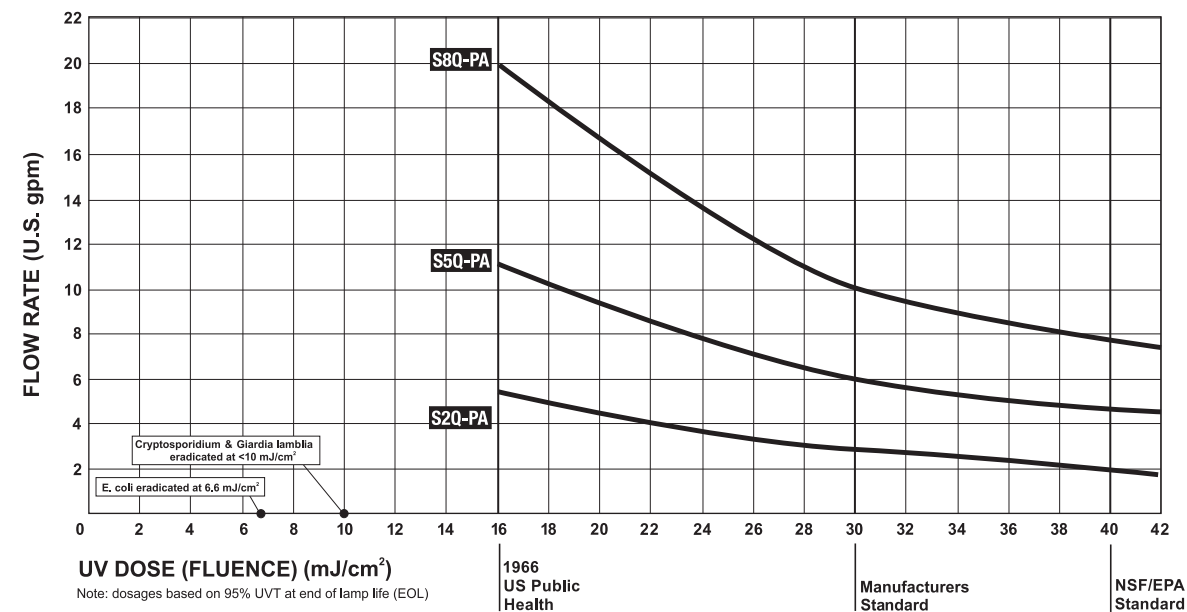
Section 6 Troubleshooting

| Symptom | Possible Causes | Solutions |
|-------------------------------------|--|--|
| Pressure Drop | Sediment pre-filter clogged | Replace filter cartridge with appropriate 5 micron cartridge. Note: Check source water supply as fluctuations may occur in source pressure. |
| | Flow regulator | Flow regulator will result in pressure drop when approaching full flow. |
| High Bacteria Counts | Quartz sleeve is stained or dirty | Clean sleeve with scale cleaner and eliminate source of staining problem (ie. soften hard water, refer to Section 4.2). |
| | Change in feed water quality | Have source water tested to ensure that water quality is still within allowable limits for this system. |
| | Contamination in water lines after UV system (eg. power failures, plumbing) | Disinfection system must have a bacterial free distribution system to work effectively. Refer to Section 3.2 |
| | Possible break-through of sediment through pre-filter | Have source water tested for turbidity - may need stepped filtration in order to catch all sediment entering water system (20 micron filter followed by a 5 micron filter followed by UV) |
| Heated Product Water | Common problem caused by infrequent use of water | Run water until it returns to ambient temperature. |
| Water Appears Milky | Caused by air in the water lines | Run water until air is purged. |
| Unit Leaking Water | Problem with O-ring seal (on retaining nut and/or UV sensor) | Ensure O-ring is in place, check for cuts or abrasions, clean O-ring, moisten with water/lubricant and re-install, replace if necessary (410867). |
| | Condensation on UV chamber caused by excessive humidity & cold water | Check location of disinfection system and control humidity. |
| | Inadequate inlet/outlet port connections | Check thread connections, reseal with Teflon® tape and re-tighten. |
| System Shutting Down Intermittently | Interrupted controller | <ul style="list-style-type: none"> Ensure system has been installed on its own circuit, as other equipment may be drawing power away from UV (ie. pump or fridge). UV system should not be installed on a circuit which is incorporated into a light switch. |
| UV Lamp Failure Alarm on - New lamp | Loose connection between UV lamp and connector | Disconnect UV lamp from connector and reconnect, ensuring that a tight fit is accomplished |
| | Moisture build up in connector may keep UV lamp and connector from making a solid connection | Eliminate chance of any moisture getting to the connector and/or lamp pins |

DISPLAY FAULT MODES

| | |
|-----------------------------|--|
| LED display reads "A3" | <ul style="list-style-type: none"> UV lamp life expired - countdown is at "0" days. Refer to Section 5.1.2, Understanding your A3 Code. Press reset button for a deferred alarm, replace UV lamp |
| LED display is blank | <ul style="list-style-type: none"> Controller is in UV lamp failure mode. Refer to Section 5.1.5, UV Lamp Failure. Replace UV Lamp, refer to Section 4.1. Power system down, allowing it to reset itself; apply power in order to confirm that the controller is able to power UV lamp Check to see if there is sufficient power to the UV system |
| Green LED off (12 VDC only) | <ul style="list-style-type: none"> UV lamp failure. Replace UV Lamp, refer to Section 4.1. No input voltage to controller |

Section 7 Manufacturer's Dose Flow Chart



Section 8 Specifications: Standard and Validated

| Model | | S2Q-P/12VDC/ S2Q-PA | S5Q-P/12VDC/ S5Q-PA/SV5Q-PA* | S8Q-PA/ SV8Q-PA* | | |
|-------------------------------------|--|---|---|---|--------|------------------|
| Flow Rate | *NSF Class B Certified 16mJ/cm² @ 70% UVT | - | 3.6 gpm (13.6 lpm) (0.8 m³/hr) | 7 gpm (26.5 lpm) (1.6 m³/hr) | | |
| | US Public Health 16mJ/cm² @ 95% UVT | 5 gpm (19 lpm) (1.1 m³/hr) | 11 gpm (42 lpm) (2.5 m³/hr) | 20 gpm (75 lpm) (4.5 m³/hr) | | |
| | VIQUA Standard 30 mJ/cm² @ 95% UVT | 3 gpm (11 lpm) (0.7 m³/hr) | 6 gpm (23 lpm) (1.4 m³/hr) | 10 gpm (38 lpm) (2.3 m³/hr) | | |
| | NSF/EPA 40mJ/cm² @ 95% UVT | 2 gpm (7 lpm) (0.4 m³/hr) | 4.5 gpm (17 lpm) (1.0 m³/hr) | 8 gpm (29 lpm) (1.8 m³/hr) | | |
| Dimensions | Chamber | 43.2 cm x 6.4 cm (17" x 2.5") | 56 cm x 6.4 cm (22" x 2.5") | 90 cm x 6.4 cm (35" x 2.5") | | |
| | Controller 100-250 VAC | 18.6 cm x 8.1 cm x 6.4 cm (7.3" x 3.2" x 2.5") | 18.6 cm x 8.1 cm x 6.4 cm (7.3" x 3.2" x 2.5") | 18.6 cm x 8.1 cm x 6.4 cm (7.3" x 3.2" x 2.5") | | |
| | Controller 12 VDC | 13.5 cm x 4.3 cm x 5.8 cm (5.3" x 1.7" x 2.3") | 13.5 cm x 4.3 cm x 5.8 cm (5.3" x 1.7" x 2.3") | - | | |
| Inlet/Outlet Port Size ¹ | | 1/2" MNPT | 3/4" MNPT | 3/4" MNPT | | |
| Shipping Weight | | 2.7 kg (6 lbs) | 2.7 kg (6 lbs) | 4.5 kg (10 lbs) | | |
| Electrical | Voltage ² | 100-240V/50-60Hz | 12 VDC | 100-240V/50-60Hz | 12 VDC | 100-240V/50-60Hz |
| | Power Consumption | 22 W | 20 W | 30 W | 27 W | 46 W |
| | UV lamp Watts | 17 W | 15 W | 25 W | 20 W | 37 W |
| Maximum Operating Pressure | | 8.62 bar (125 psi) | 8.62 bar (125 psi) | 8.62 bar (125 psi) | | |
| Ambient Water Temperature | | 2-40 °C (36-104 °F) | 2-40 °C (36-104 °F) | 2-40 °C (36-104 °F) | | |
| UV Lamp Type | | Sterilume™-EX (standard-output) | Sterilume™-EX (standard-output) | Sterilume™-EX (standard-output) | | |
| UV Chamber Material | | 304 SS | 304 SS | 304 SS | | |

¹ Units ending in "1/2B" have BSPT connections.
² Units ending in "1/2" are for 230V applications.

Sección 1 Información de seguridad

Lea este manual en su totalidad antes de usar este equipo. Preste atención a todas las declaraciones de peligro, advertencia y precaución que figuran en este manual. No hacerlo podría resultar en lesiones graves o daños al equipo.

Asegúrese de no dañar la protección que proporciona el equipo. NO use ni instale este equipo de manera distinta de la especificada en el manual de instalación.

1.1 Peligros potenciales:

Lea todos los rótulos y etiquetas incluidos en el sistema. Si no se respetan, podrían producirse lesiones o daños al sistema.

| | | | |
|--|--|--|---|
| | Residuos de aparatos eléctricos y electrónicos (RAEE). Este símbolo indica que no debe desechar residuos de aparatos eléctricos y electrónicos (RAEE) en la basura. Para su eliminación adecuada, póngase en contacto con su centro de reciclaje/reutilización o de desechos peligrosos. | | Este símbolo indica que no se debe almacenar material combustible o inflamable cerca del sistema. |
| | Este símbolo indica que hay presencia de mercurio. | | Este símbolo indica que el contenido del paquete de transporte es frágil y que el paquete se debe manipular con cuidado. |
| | Este es el símbolo de alerta de seguridad. Para evitar lesiones potenciales, respete todos los mensajes de seguridad que siguen a este símbolo. En el equipo, consulte el manual de funcionamiento y mantenimiento para obtener información adicional sobre la seguridad. | | Este símbolo indica que se requiere el uso de gafas de seguridad con protección lateral para proteger contra la exposición a rayos UV. |
| | Este símbolo indica que existe un riesgo de descarga eléctrica o electrocución. | | Este símbolo indica que se requiere el uso de guantes. |
| | Este símbolo indica que es posible que el equipo marcado contenga un componente que se podría expulsar con fuerza. Respete todos los procedimientos para realizar la despresurización segura. | | Este símbolo indica que se requiere el uso de botas de seguridad. |
| | Este símbolo indica que el sistema está bajo presión. | | Este símbolo indica que el operador debe leer toda la documentación disponible para realizar los procedimientos requeridos. |
| | Este símbolo indica que existe peligro de exposición a rayos UV. Se debe usar protección adecuada. | | Este símbolo indica que el fontanero debe usar canalizaciones de cobre. |
| | Este símbolo indica que el artículo marcado podría estar caliente y no se debe tocar sin tomar las precauciones necesarias. | | Este símbolo indica que el sistema se debe conectar únicamente a un receptáculo de control adecuadamente conectado a tierra y protegido con un interruptor de circuito de fallos de conexión a tierra (GFCI). |
| | Este símbolo indica que existe el potencial de agua MUY caliente cuando se inicie el flujo. | | |

Advertencia: Este producto puede contener productos químicos que, según considera el Estado de California, pueden provocar cáncer, deformaciones congénitas u otros problemas reproductivos.

1.2 Precauciones de seguridad:

| ⚠ PELIGRO | |
|------------------|---|
| | El incumplimiento de estas instrucciones puede ocasionar lesiones graves o la muerte. |
| | <ul style="list-style-type: none"> Descarga eléctrica: Para evitar posibles descargas eléctricas, se deben tomar precauciones debido a la presencia de agua cerca de los equipos eléctricos. A menos que surja una situación que se indique explícitamente en las secciones de mantenimiento y solución de problemas, NO intente realizar reparaciones usted mismo. Póngase en contacto con un proveedor de servicio autorizado. CONEXIÓN A TIERRA: Este producto se debe conectar a tierra. En el caso de que se produzca un fallo o una avería, la conexión a tierra proporciona una ruta de menor resistencia de la corriente eléctrica para reducir el riesgo de descarga eléctrica. Este sistema viene equipado con un cable con conductor y toma de conexión a tierra. La toma se debe enchufar a una toma de corriente instalada correctamente, con conexión a tierra, de acuerdo con las leyes y normativas locales. La conexión inadecuada del conductor de conexión a tierra del equipo puede resultar en riesgo de electrocución. Si tiene dudas sobre si la toma de corriente está conectada a tierra correctamente, consulte con un electricista o personal de servicio cualificado. NO modifique la toma que se suministra con este sistema. Si no cabe en la toma de corriente, solicite a un electricista cualificado que cambie la toma de corriente. NO use ningún tipo de adaptador con este sistema. PROTECCIÓN DE INTERRUPTOR DE CIRCUITO DE FALLOS DE CONEXIÓN A TIERRA: Para cumplir con el Código Eléctrico Nacional (NFPA 70) de Estados Unidos y proporcionar protección adicional contra el riesgo de descarga eléctrica, este sistema se debe conectar únicamente a un receptáculo de control adecuadamente conectado a tierra y protegido mediante un interruptor de circuito de fallos de conexión a tierra (GFCI). Inspeccione el funcionamiento del GFCI según el programa de mantenimiento sugerido por el fabricante. NO use el sistema de desinfección si su cable o toma está dañado, si no funciona correctamente o si se ha caído o dañado de algún modo. No use el sistema de desinfección para propósitos distintos de los previstos (aplicaciones de agua potable). El uso de accesorios no recomendados o comercializados por el fabricante o distribuidor pueden provocar condiciones inseguras. NO instale el sistema de desinfección en una ubicación en la que quedará expuesto a la intemperie o a temperaturas bajo cero. NO almacene este sistema de desinfección en una ubicación en la que quedará expuesto a la intemperie. NO almacene este sistema de desinfección en una ubicación en la que quedará expuesto a temperaturas bajo cero, a menos que el agua se haya drenado y el suministro de agua se haya desconectado. |
| | |

Enhorabuena por la compra de su sistema de desinfección de agua por luz ultravioleta (UV). Este sistema usa la tecnología UV más avanzada del mercado y está diseñado para proporcionarle años de funcionamiento sin problemas con un mínimo mantenimiento para proteger su agua potable contra contaminantes microbiológicos.

Para garantizar la continua desinfección del agua, las lámparas UV se deben reemplazar cada año por repuestos VIQUA de fábrica. Las lámparas VIQUA son fruto de un extenso desarrollo que ha resultado en una plataforma de desinfección altamente eficaz con un rendimiento de UV extremadamente estable a lo largo de todo su ciclo de vida de 9000 horas. Su éxito ha llevado a una proliferación de copias no originales en el mercado.

La lámpara UV es el corazón del sistema de desinfección y no debería hacer concesiones a la hora de reponerla.

¿Por qué debería insistir en obtener lámparas de reposición VIQUA originales de fábrica?

- Se ha demostrado que el uso de las lámparas de reposición no originales, disponibles ampliamente en el mercado, daña el módulo de control del equipo de desinfección UV VIQUA.
- El soporte técnico de VIQUA recibe cada vez más llamadas relacionadas con el uso (inadvertido) de lámparas de reposición no originales.
- Los daños derivados del uso de lámparas no originales implican un riesgo para la seguridad y no se cubren en la garantía del equipo.
- A menos que el equipo UV venga equipado con un sensor UV (monitor), no es posible comprobar la salida UV (invisible) de las lámparas de reposición.
- Un aspecto similar a la lámpara original y la presencia de la luz azul (visible) no significan que el rendimiento de desinfección sea equivalente.
- Las lámparas de reposición VIQUA se someten a rigurosas pruebas de rendimiento y estrictos procesos de control de calidad para garantizar que no se ponen en riesgo las certificaciones de seguridad y el rendimiento del equipo.

Como puede ver, simplemente no vale la pena correr el riesgo. Exija lámparas de reposición VIQUA originales.

Section 9 Manufacturer's Warranty

Our Commitment

VIQUA is committed to ensuring your experience with our products and organization exceeds your expectations. We have manufactured your UV disinfection system to the highest quality standards and value you as our customer. Should you need any support, or have questions about your system, please contact our Technical Support team at 1.800.265.7246 or technicalsupport@viqua.com and we will be happy to assist you. We sincerely hope you enjoy the benefits of clean, safe drinking water after the installation of your VIQUA disinfection system.

How to Make a Warranty Claim

Note: To maximise the disinfection performance and reliability of your VIQUA product, the system must be properly sized, installed and maintained. Guidance on the necessary water quality parameters and maintenance requirements can be found in your Owner's Manual.

In the event that repair or replacement of parts covered by this warranty are required, the process will be handled by your dealer. If you are unsure whether an equipment problem or failure is covered by warranty, contact our Technical Support team at 1.800.265.7246 or e-mail technicalsupport@viqua.com. Our fully trained technicians will help you troubleshoot the problem and identify a solution. Please have available the model number (system type), the date of purchase, the name of the dealer from whom you purchased your VIQUA product ("the source dealer"), as well as a description of the problem you are experiencing. To establish proof of purchase when making a warranty claim, you will either need your original invoice, or have previously completed and returned your product registration card via mail or online.

Specific Warranty Coverage

Warranty coverage is specific to the VIQUA range of products. Warranty coverage is subject to the conditions and limitations outlined under "[General Conditions and Limitations](#)".

Ten-Year Limited Warranty for VIQUA UV Chamber

VIQUA warrants the UV chamber on the VIQUA product to be free from defects in material and workmanship for a period of ten (10) years from the date of purchase. During this time, VIQUA will repair or replace, at its option, any defective VIQUA UV chamber. Please return the defective part to your dealer who will process your claim.

Three-Year Limited Warranty for Electrical and Hardware Components

VIQUA warrants the electrical (controller) and hardware components to be free from defects in material and workmanship for a period of three (3) years from the date of purchase. During this time, VIQUA will repair or replace, at its option, any defective parts covered by the warranty. Please return the defective part to your dealer who will process your claim.

One-Year Limited Warranty for UV lamps, Sleeves, and UV Sensors

VIQUA warrants UV lamps, sleeves, and UV sensors to be free from defects in material and workmanship for a period of one (1) year from the date of purchase. During this time, VIQUA will repair or replace, at its option, any defective parts covered by the warranty. Your dealer will process your claim and advise whether the defective item needs to be returned for failure analysis.

Note: Use only genuine VIQUA replacement lamps and sleeves in your system. Failure to do so may seriously compromise disinfection performance and affect warranty coverage.

General Conditions and Limitations

None of the above warranties cover damage caused by improper use or maintenance, accidents, acts of God or minor scratches or imperfections that do not materially impair the operation of the product. The warranties also do not cover products that are not installed as outlined in the applicable Owner's Manual.

Parts repaired or replaced under these warranties will be covered under warranty up to the end of the warranty period applicable to the original part.

The above warranties do not include the cost of shipping and handling of returned items. The limited warranties described above are the only warranties applicable to the VIQUA range of products. These limited warranties outline the exclusive remedy for all claims based on a failure of or defect in any of these products, whether the claim is based on contract, tort (including negligence), strict liability or otherwise. These warranties are in lieu of all other warranties whether written, oral, implied or statutory. Without limitation, no warranty of merchantability or of fitness for a particular purpose shall apply to any of these products.

VIQUA does not assume any liability for personal injury or property damage caused by the use or misuse of any of the above products. VIQUA shall not in any event be liable for special, incidental, indirect or consequential damages. VIQUA's liability shall, in all instances, be limited to repair or replacement of the defective product or part and this liability will terminate upon expiration of the applicable warranty period.

Manual del propietario

This page is intentionally left blank.



Desarrollado por
Sterilight

Modelos:
S2Q-PA, S5Q-PA, S8Q-PA, S2Q-P/12VDC,
S5Q-P/12VDC

**Modelos validados de acuerdo
con la normativa NSF estándar
55 Clase B:**
SV5Q-PA, SV8Q-PA

425 Clair Rd. W, Guelph, Ontario, Canadá N1L 1R1
t. (+1) 519.763.1032 • f. (+1) 800.265.7246 (solo EE. UU. y Canadá)
t. (+31) 73 747 0144 (solo Europa) • f. (+1) 519.763.5069
correo electrónico: info@viqua.com
www.viqua.com



Manuel d'utilisation

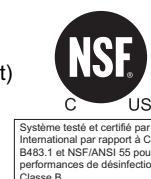
Cette page est intentionnellement laissée vide.



Modèles :
S2Q-PA, S5Q-PA, S8Q-PA, S2Q-P/12VDC,
S5Q-P/12VDC
**Modèles validés Classe B Norme
NSF 55 :**
SV5Q-PA, SV8Q-PA

Supporter par
Sterilight

425 Clair Rd. W, Guelph, Ontario, Canada N1L 1R1
t. (+1) 519.763.1032 • f. (+1) 800.265.7246 (US et Canada seulement)
t. (+31) 73 747 0144 (Europe seulement) • f. (+1) 519.763.5069
Courriel : info@viqua.com
www.viqua.com



Félicitations pour l'achat de votre système de désinfection d'eau par ultraviolets (UV) ! Ce système fait appel à la technologie UV la plus récente sur le marché et il est conçu pour vous apporter des années de fonctionnement sans souci avec un minimum d'entretien pour protéger votre eau potable de toute contamination microbiologique.

Pour assurer une désinfection continue de votre eau, les lampes UV doivent être remplacées chaque année par les pièces de rechange fournies par l'usine VIQUA. Les lampes VIQUA sont le résultat d'un important développement aboutissant à une plateforme de désinfection hautement efficace avec une production d'UV extrêmement stable sur toute la durée de vie de 9 000 heures. Son succès a mené à une prolifération de copies qui ne sont pas d'origine sur le marché.

La lampe UV est le cœur du système de désinfection et aucun compromis n'est autorisé quand vient le moment de la remplacer.

Pourquoi vous devriez insister sur des lampes de rechange fournies par l'usine d'origine VIQUA ?

- Il a été démontré que l'utilisation de lampes de rechange qui ne sont pas d'origine et largement disponibles endommage le module du dispositif de commande du système de désinfection par UV VIQUA.
- Un nombre croissant d'appels au Service d'assistance technique VIQUA en lien avec les lampes qui ne sont pas d'origine utilisées (sans le savoir) comme pièces de rechange.
- Les dommages provenant de l'utilisation de lampes qui ne sont pas d'origine constituent un risque de sécurité et ne sont pas couverts par la garantie de l'équipement.
- À moins que l'équipement UV ne soit équipé d'un capteur à UV (écran), il est impossible de vérifier la production des UV (invisible) des lampes de rechange.
- Une apparence similaire à la lampe d'origine et la présence d'une lumière bleue (visible) ne garantissent pas une performance de désinfection équivalente.
- Les lampes de rechange VIQUA subissent des tests de performance rigoureux et des processus de contrôle de qualité stricts pour assurer que les certifications de performance et de sécurité de l'équipement d'origine ne sont pas compromises.

Ainsi, vous pouvez voir que ça ne vaut pas la peine de prendre le risque ! Insistez sur des lampes de rechange d'origine VIQUA.

Section 9 Garantie du constructeur

Notre engagement

VIQUA s'engage à dépasser vos attentes dans tous vos rapports avec nos produits comme avec notre société. Nous avons fabriqué votre système de désinfection par UV aux normes de qualité les plus élevées, nous apprécions nos clients à leur juste valeur. Pour tout besoin d'assistance ou question sur votre système, n'hésitez pas à contacter notre équipe de support technique au 1.800.265.7246 ou technicalsupport@viqua.com, nous nous ferons un plaisir de vous aider. Nous espérons sincèrement que vous profiterez de tous les avantages d'une eau de boisson propre et sûre après l'installation de votre système de désinfection VIQUA.

Recours en garantie

Remarque : pour optimiser les performances de désinfection comme la fiabilité de votre produit VIQUA, le système doit être dimensionné, installé et entretenu correctement. Le manuel de l'utilisateur contient des instructions sur les paramètres nécessaires de qualité de l'eau comme sur les exigences d'entretien.

Au cas où une réparation ou un remplacement des pièces couvertes par cette garantie serait nécessaire, votre revendeur pourra se charger de la procédure. En cas de doute sur la couverture par la garantie d'un problème ou d'une défaillance de l'équipement, contactez notre équipe de support technique au 1.800.265.7246 ou par e-mail à l'adresse technicalsupport@viqua.com. Nos techniciens parfaitement formés pourront vous aider dans le dépistage du problème pour trouver une solution. Vous devez avoir à disposition le numéro du modèle (type du système), la date d'achat, le nom du revendeur auprès duquel vous avez acheté votre produit VIQUA (« revendeur source ») ainsi qu'une description du problème rencontré. La preuve d'achat pour tout recours en garantie peut être la facture d'origine ou la carte d'enregistrement du produit remplie et renvoyée précédemment par e-mail ou en ligne.

Couverture spécifique de garantie

La couverture de garantie est spécifique à la gamme de produits VIQUA. La couverture de garantie est soumise aux conditions et aux limitations abordées dans « [Conditions générales et limitations](#) ».

Garantie limitée de dix ans pour la chambre à UV VIQUA

VIQUA garantit la chambre à UV du produit VIQUA contre tout défaut de matière et de main-d'œuvre pour une durée de dix (10) années à compter de la date d'achat. Dans cette période, VIQUA pourra remplacer ou réparer à son choix, toute chambre à UV VIQUA défectueuse. Veuillez renvoyer la pièce défectueuse à votre revendeur pour traitement de votre recours.

Garantie limitée de trois ans sur les composants matériels et électriques

VIQUA garantit les composants matériels et électriques (dispositif de commande) contre tout défaut de matière et de main-d'œuvre pour une durée de trois (3) années à compter de la date d'achat. Dans cette période, VIQUA pourra remplacer ou réparer à son choix, toute pièce défectueuse couverte par la garantie. Veuillez renvoyer la pièce défectueuse à votre revendeur pour traitement de votre recours.

Garantie limitée d'un an pour les lampes UV, manchons et capteurs UV

VIQUA garantit les lampes UV, manchons et capteurs UV contre tout défaut de matière et de main-d'œuvre pour une durée d'une (1) année à compter de la date d'achat. Dans cette période, VIQUA pourra remplacer ou réparer à son choix, toute pièce défectueuse couverte par la garantie. Votre revendeur pourra traiter votre recours et vous indiquer si le ou les éléments défectueux doivent être renvoyés pour analyse de panne.

Remarque : n'utilisez que des lampes et manchons de rechange d'origine VIQUA dans votre système. Le non-respect de cette prescription peut compromettre sérieusement les performances de désinfection et annuler votre garantie.

Conditions générales et limitations

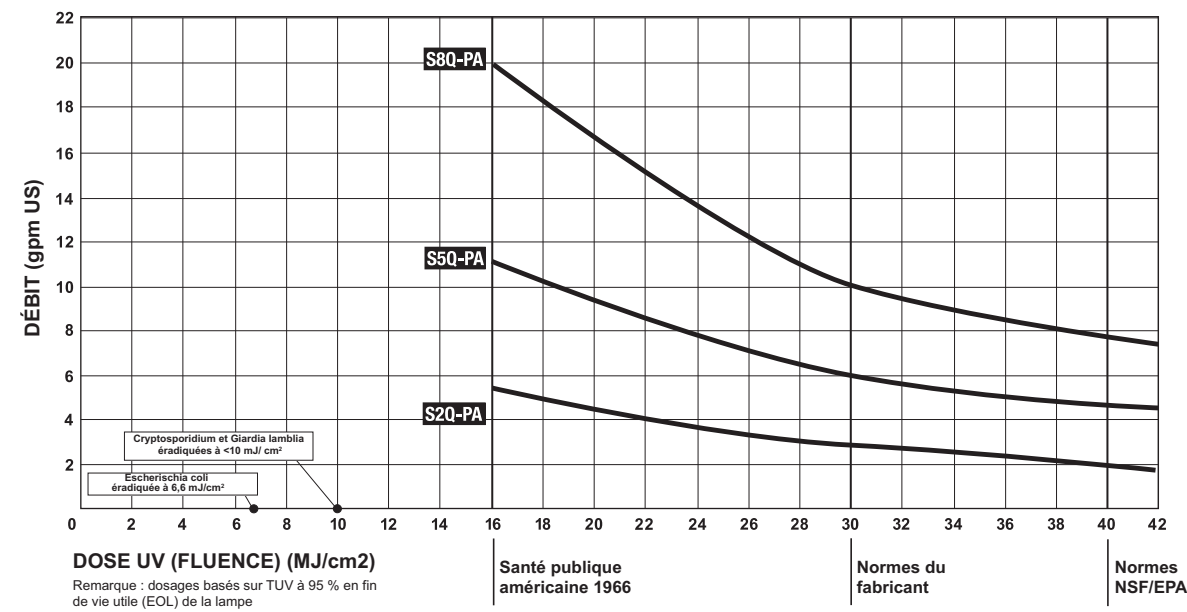
Aucune des garanties ci-dessus ne couvre les dégâts causés par une utilisation ou un entretien incorrect, par des accidents, catastrophes naturelles, et ne couvre pas les imperfections ou rayures mineures ne gênant pas matériellement le fonctionnement du produit. Les garanties ne couvrent pas non plus les produits qui n'ont pas été installés conformément aux instructions du manuel de l'utilisateur.

Les pièces réparées ou remplacées dans le cadre de ces garanties restent couvertes par la garantie jusqu'au terme de la garantie de la pièce d'origine.

Les garanties ci-dessus ne comprennent pas le coût d'expédition et de manutention des objets renvoyés. Les garanties limitées ci-dessus sont les seules garanties applicables à la gamme de produits VIQUA. Ces garanties limitées détaillent le recours exclusif pour toute défaillance ou défaut d'un de ces produits, à titre contractuel, délictuel (y compris négligence), de la responsabilité du gardien de la chose ou autre. Ces garanties remplacent toutes autres garanties écrites, orales, implicites ou habituelles. Sans limitation, aucune garantie de qualité marchande ou d'adéquation à un usage particulier n'est applicable à aucun de ces produits.

VIQUA ne saurait être tenu responsable des blessures ou dommages aux biens causés par l'utilisation correcte ou abusive d'un des produits mentionnés ci-dessus. VIQUA ne saurait en aucun cas être responsable des dommages spéciaux, accessoires, indirects ou consécutifs. La responsabilité de VIQUA sera dans tous les cas limitée à la réparation ou au remplacement de la pièce ou du produit défectueux, cette responsabilité prendra fin à l'expiration de la période de garantie applicable.

Section 7 Schéma de dose du constructeur



Section 8 Caractéristiques : Normes et validations

| Modèle | | S2Q-P/12VDC/ S2Q-PA | S5Q-P/12VDC/ S5Q-PA/SV5Q-PA* | S8Q-PA/ SV8Q-PA* | | |
|--|---|--|--|--|--------|------------------|
| Flow Rate (Débit) | *Certifié Classe B NSF 16mJ/cm ² @ 70 % TUV | - | 3,6 gpm (13,6 lpm) (0,8 m ³ /hr) | 7 gpm (26,5 lpm) (1,6 m ³ /hr) | | |
| | Santé publique américaine 16mJ/cm ² @ 95 % TUV | 5 gpm (19 lpm) (1,1 m ³ /hr) | 11 gpm (42 lpm) (2,5 m ³ /hr) | 20 gpm (75 lpm) (4,5 m ³ /hr) | | |
| | VIQUA Standard 30 mJ/cm ² @ 95 % TUV | 3 gpm (11 lpm) (0,7 m ³ /hr) | 6 gpm (23 lpm) (1,4 m ³ /hr) | 10 gpm (38 lpm) (2,3 m ³ /hr) | | |
| | NSF/EPA 40mJ/cm ² @ 95 % TUV | 2 gpm (7 lpm) (0,4 m ³ /hr) | 4,5 gpm (17 lpm) (1,0 m ³ /hr) | 8 gpm (29 lpm) (1,8 m ³ /hr) | | |
| Dimensions | Chambre | 43,2 cm x 6,4 cm (17" x 2,5") | 56 cm x 6,4 cm (22" x 2,5") | 90 cm x 6,4 cm (35" x 2,5") | | |
| | Dispositif de commande 100-250 VAC | 18,6 cm x 8,1 cm x 6,4 cm (7,3" x 3,2" x 2,5") | 18,6 cm x 8,1 cm x 6,4 cm (7,3" x 3,2" x 2,5") | 18,6 cm x 8,1 cm x 6,4 cm (7,3" x 3,2" x 2,5") | | |
| | Dispositif de commande 12 VDC | 13,5 cm x 4,3 cm x 5,8 cm (5,3" x 1,7" x 2,3") | 13,5 cm x 4,3 cm x 5,8 cm (5,3" x 1,7" x 2,3") | - | | |
| Dimension d'entrée/sortie ¹ | | 1/2" MNPT | 3/4" MNPT | 3/4" MNPT | | |
| Poids | | 2,7 kg (6 lbs) | 2,7 kg (6 lbs) | 4,5 kg (10 lbs) | | |
| Électrique | Tension ² | 100-240V/50-60Hz | 12 VDC | 100-240V/50-60Hz | 12 VDC | 100-240V/50-60Hz |
| | Consommation électrique | 22 W | 20 W | 30 W | 27 W | 46 W |
| | Lampe UV Watts | 17 W | 15 W | 25 W | 20 W | 37 W |
| Pression maximale de fonctionnement | | 8,62 bars (125 psi) | 8,62 bars (125 psi) | 8,62 bars (125 psi) | | |
| Température ambiante de l'eau | | 2-40 °C (36-104 °F) | 2-40 °C (36-104 °F) | 2-40 °C (36-104 °F) | | |
| Type de lampe UV | | Sterilume™-EX (sortie standard) | Sterilume™-EX (sortie standard) | Sterilume™-EX (sortie standard) | | |
| Matériau de la chambre UV | | 304 SS | 304 SS | 304 SS | | |

¹ Unités finissant en « / 2B » ont des connexions BSPT.
² Les unités finissant en « / 2 » sont pour les applications 230V.

Section 1 Informations de sécurité

Veillez lire la totalité de ce manuel avant d'utiliser cet équipement. Prêtez attention à toutes les mentions de danger, d'avertissement et d'attention dans ce manuel. Le non-respect de ces mentions pourrait conduire à des blessures graves de l'opérateur ou à des dommages sur l'équipement. Assurez-vous que la protection fournie par cet équipement ne soit pas compromise. NI utiliser NI installer cet équipement autrement que comme spécifié dans le manuel d'installation.

1.1 Dangers potentiels :

Lisez toutes les étiquettes et autocollants fixés sur le système. Leur non-respect pourrait conduire à des blessures ou à des dommages sur le système.

| | | | |
|--|---|--|---|
| | Déchets d'équipements électriques et électroniques (DEEE). Ce symbole indique que les déchets d'équipements électriques et électroniques (DEEE) ne doivent pas être jetés dans la poubelle. Pour une élimination appropriée, contactez votre centre de recyclage/réutilisation local ou un centre de déchets dangereux. | | Ce symbole indique de ne pas stocker de matière combustible ou inflammable à proximité du système. |
| | Ce symbole indique qu'il y a du mercure présent. | | Ce symbole indique que le contenu de l'emballage de transport est fragile et que le colis doit être manipulé avec soin. |
| | Ce symbole est une alerte de sécurité. Respectez les messages de sécurité suivant ce symbole pour éviter des risques de blessures. Lorsqu'il se trouve sur l'équipement, consultez le manuel d'utilisation et d'entretien manuel d'utilisation et de maintenance pour des informations sur la sécurité supplémentaires. | | Ce symbole indique que des lunettes de sécurité avec protections latérales sont exigées pour la protection contre une exposition à des UV. |
| | Ce symbole indique un risque d'électrocution ou de décharge électrique. | | Ce symbole indique que des gants doivent être utilisés. |
| | Ce symbole indique que l'équipement marqué peut contenir un composant qui peut s'éjecter vigoureusement. Respectez toutes les procédures pour une dépressurisation sûre. | | Ce symbole indique que des bottes de sécurité doivent être utilisées. |
| | Ce symbole indique que le système est sous pression. | | Ce symbole indique que l'opérateur doit lire toute la documentation disponible pour effectuer les procédures nécessaires. |
| | Ce symbole signale un risque potentiel d'UV. Une protection appropriée doit être portée. | | Ce symbole indique que le plombier doit utiliser des tuyaux en cuivre. |
| | Ce symbole indique que le composant marqué peut être chaud et ne devrait pas être touché sans précaution. | | Ce symbole indique que le système devrait être connecté à une prise correctement mise à la terre protégée par un disjoncteur de fuite de terre (DFT). |
| | Ce symbole indique qu'il y a un risque potentiel d'eau TRÈS chaude lorsque l'écoulement commence. | | |

Avertissement : ce produit peut contenir des produits chimiques connus par l'État de Californie pour causer des cancers, des anomalies congénitales et autres problèmes reproductifs.

1.2 Précautions de sécurité :

| ⚠ DANGER | |
|-----------------|---|
| | Le non-respect de ces instructions conduira à des blessures graves ou mortelles. |
| | <ul style="list-style-type: none"> Choc électrique : pour éviter tout choc électrique, une attention particulière doit être observée car de l'eau est présente à côté de l'équipement électrique. À moins qu'une situation rencontrée soit explicitement abordée dans les sections de maintenance et de dépannage fournies, N'essayez PAS de réparer par vous-même, reportez-vous au centre de service autorisé. MISE À LA TERRE : ce produit doit être mis à la terre. Si un dysfonctionnement ou une panne devait survenir, la mise à la terre fournit un chemin de moindre résistance au courant électrique afin de réduire le risque de choc électrique. Ce système est équipé d'un cordon muni d'un conducteur de terre et d'une fiche de mise à la terre. La fiche doit être branchée dans une prise appropriée correctement installée et mise à la terre conformément aux codes et règlements locaux. Un mauvais branchement du conducteur de terre peut entraîner un risque d'électrocution. Consultez un électricien ou technicien de maintenance qualifié en cas de doute sur la mise à la terre correcte de la prise. NE modifiez PAS la fiche fournie avec ce système, si elle ne rentre pas dans la prise, faites installer la bonne prise par un électricien qualifié. N'utiliser AUCUN adaptateur avec ce système. DISJONCTEUR DE FUITE DE TERRE : pour être en conformité avec le Code national de l'électricité (NFPA 70) et fournir une protection supplémentaire par rapport au risque de choc électrique, ce système ne devrait être branché que sur une prise correctement mise à la terre protégée par un disjoncteur de fuite de terre (DFT). Vérifiez le fonctionnement du DFT selon le calendrier de maintenance proposé par le constructeur. NE PAS faire fonctionner le système de désinfection si un cordon ou une prise est endommagé(e), s'il fonctionne mal ou s'il a été échappé ou endommagé d'une manière ou d'une autre. NE PAS utiliser ce système de désinfection pour toute autre application (la purification d'eau potable prévue). L'utilisation d'accessoires non recommandés ou vendus par le distributeur ou le constructeur peut causer un problème de sécurité. NE PAS installer ce système de désinfection dans des lieux exposés aux intempéries ou au gel. NE PAS stocker ce système de désinfection où il serait exposé aux intempéries. NE PAS stocker ce système de désinfection où il serait exposé au gel à moins qu'il n'y ait plus du tout d'eau dedans et que l'alimentation en eau ait été débranchée. |
| | |

⚠ AVERTISSEMENT



Pendant les longues périodes où l'eau ne s'est pas écoulée, l'eau de votre chambre peut devenir très chaude (environ 60 °C) et potentiellement mener à des brûlures. Il est recommandé de faire couler l'eau jusqu'à ce que cette eau chaude ait été purgée de votre chambre. Ne mettez pas l'eau en contact avec votre peau pendant ce temps. Pour résoudre ce problème, il est possible d'installer une vanne de régulation de la température sur le robinet de votre système UV.

⚠ ATTENTION



Le non-respect de ces instructions peut conduire à des blessures mineures voire modérées.

- Examiner soigneusement le système de désinfection après son installation. Il ne doit pas être branché en cas de présence d'eau sur les pièces non prévues pour être mouillées, par exemple dispositif de commande ou connecteur de la lampe.
- En raison de préoccupations liées à la dilatation thermique et la dégradation potentielle des matériaux due à l'exposition aux UV, il est recommandé d'utiliser des raccords métalliques et de la tuyauterie en cuivre d'au moins 10" à la sortie de votre chambre UV.

AVIS



- La lampe UV à l'intérieur du système de désinfection a une durée de vie nominale d'environ 9000 heures. Pour une protection permanente, remplacez la lampe UV chaque année.
- Les enfants ne doivent pas utiliser ou jouer avec le système UV. Les personnes avec des capacités physiques, sensorielles ou mentales réduites, ou un manque d'expérience et de connaissances, ne doivent pas non plus manipuler le système UV à moins qu'elles soient supervisées ou formées.
- RALLONGES** : si une rallonge est nécessaire, utilisez seulement les rallonges 3 fils qui ont des fiches de mise à la terre à 3 branches et des connecteurs de cordon à 3 trous qui acceptent la fiche de ce système. Utilisez seulement les rallonges destinées à être utilisées en extérieur. Utilisez seulement les rallonges avec une puissance électrique qui n'est pas inférieure à la puissance du système. Un cordon avec une puissance en ampères ou en watt inférieure à celle de ce système pourrait surchauffer. Faites preuve de prudence lorsque vous arrangez le cordon afin qu'il ne soit pas tiré ou qu'on ne s'y prenne pas les pieds dedans. N'utilisez PAS de rallonges endommagées. Vérifiez la rallonge avant de l'utiliser, et remplacez-la si elle est endommagée. N'utilisez PAS trop de rallonges. Tenez les rallonges loin des sources de chaleur et des bords tranchants. Débranchez toujours la rallonge de la prise avant de débrancher ce système de la rallonge. Ne tirez jamais sur le cordon pour débrancher de la prise. Attrapez toujours la prise et tirez pour débrancher.
- PROTECTION DU SYSTÈME** : un suppresseur de tension transitoire certifié UL 1449 (ou équivalent) est fortement recommandé pour protéger le dispositif de commande.
- La lampe UV de ce système est conforme aux dispositions applicables des exigences du Code des règlements fédéraux (CFR) comprenant, Titre 21, chapitre 1, sous-chapitre J, Santé radiologique.
- S'assurer d'avoir lu et bien compris le Manuel de l'utilisateur avant utilisation et avant toute intervention d'entretien sur cet équipement.

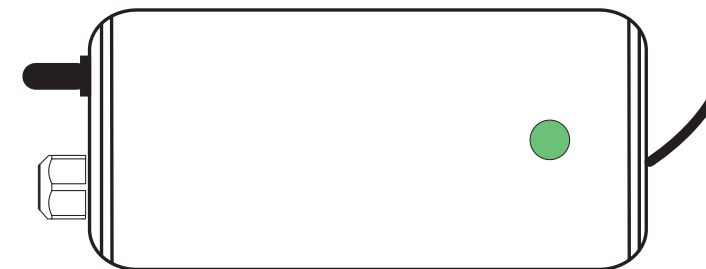
1.3 Propriétés chimiques de l'eau

La qualité de l'eau est extrêmement importante pour la performance optimale de votre système UV. Les niveaux suivants sont recommandés pour l'installation :

| Qualité de l'eau et minéraux | Niveau |
|------------------------------|--|
| Fer | < 0,3 ppm (0,3 mg/l) |
| Dureté* | < 7 gpg (120 mg/l) |
| Turbidité | < 1 NTU |
| Manganèse | < 0,05 ppm (0,05 mg/l) |
| Tanins | < 0,1 ppm (0,1 mg/l) |
| Transmittance UV | > 75 % (appeler l'usine pour des recommandations sur les applications dans les cas où la TUV < 75 %) |

* Dans les cas où la dureté totale est inférieure à 7 gpg, l'unité UV devrait fonctionner efficacement si le manchon en quartz est nettoyé périodiquement. Si la dureté totale dépasse 7 gpg, l'eau devrait être adoucie. Si les propriétés chimiques de votre eau contiennent des niveaux supérieurs à ceux qui sont mentionnés ci-dessus, un pré-traitement approprié est recommandé pour corriger les problèmes de l'eau avant d'installer votre système de désinfection par UV. Ces paramètres de qualité de l'eau peuvent être testés par votre fournisseur local ou par la plupart des laboratoires d'analyses privés. *Un pré-traitement approprié est essentiel pour que le système de désinfection par UV fonctionne comme prévu.*

5.2 Systèmes 12VDC incorporant dispositif de commande BA-RO/P/12



Un DEL vert indique que la lampe UV est « ON ».

Section 6 Dépannage

| Symptôme | Causes possibles | Solutions |
|---|--|--|
| Perte de pression | Préfiltre à sédiments colmaté | Remplacez la cartouche du filtre par une cartouche 5 microns adaptée. Remarque : vérifier la source d'alimentation en eau car la pression de la source peut varier. |
| | Régulateur de débit | Un régulateur de débit crée une chute de pression à l'approche du plein débit. |
| Nombre de bactéries élevé | Le manchon en quartz est sale ou souillé | Nettoyez le manchon avec un détartrant et éliminer la source de salissure (par exemple adoucir l'eau dure, consultez la Section 4.2). |
| | Variation dans la qualité d'approvisionnement de l'eau | Faites tester l'eau source pour vous assurer que la qualité de l'eau est dans les limites autorisées pour ce système. |
| | Contamination dans les canalisations d'eau après le système à UV (par exemple, lors des défaillances de) | Le système de désinfection doit avoir un circuit de distribution exempt de bactéries pour assurer leur efficacité. Consultez la Section 3.2 |
| | Passage possible de sédiments par le préfiltre | Faites tester la turbidité de l'eau source - une filtration à plusieurs étages peut être nécessaire pour recueillir tous les sédiments qui pénètrent dans le circuit d'eau (filtre 20 microns suivi d'un filtre 5 microns, suivi du système UV). |
| Heated Product Water | Problème courant dû à une utilisation occasionnelle de l'eau | Faites couler l'eau jusqu'à ce qu'elle revienne à la température ambiante. |
| L'eau semble laiteuse | Air dans les canalisations d'eau | Faites couler l'eau jusqu'à ce qu'elle se purge. |
| Fuite d'eau sur l'appareil | Problème sur le joint torique (de l'écrou de blocage ou du capteur UV) | Vérifiez que le joint torique est en place, recherchez des coupures ou usures, nettoyez le joint torique, humidifiez-le à l'eau/lubrifiant et reposez-le, remplacez-le si nécessaire (410867). |
| | Condensation sur la chambre à UV causée par une humidité excessive et de l'eau froide | Vérifiez l'emplacement du système de désinfection et contrôlez l'humidité. |
| | Raccordements incorrects d'entrée/sortie | Vérifiez les raccordements filetés, refaites l'étanchéité avec du ruban Teflon® et resserrez. |
| Arrêt intermittent du système | Dispositif de commande interrompu | <ul style="list-style-type: none"> Vérifiez que le système a été installé sur un circuit indépendant, d'autres appareils pourraient créer des pointes de courant (exemple pompe ou réfrigérateur) gênant le système à UV. Le système à UV ne doit pas être installé sur un circuit comportant un interrupteur d'éclairage. |
| Alarme de défaillance de lampe UV activée - Lampe neuve | Mauvais contact entre la lampe UV et son connecteur | Débranchez la lampe UV de son connecteur et rebranchez-la, assurez-vous que le contact est bon. |
| | L'accumulation d'humidité dans le connecteur peut empêcher un bon contact entre la lampe UV et le connecteur | Éliminez les risques de pénétration d'humidité vers le connecteur ou les broches de la lampe |

AFFICHAGE DES MODES DÉFAILLANCE

| | |
|-------------------------------------|--|
| L'afficheur à DEL indique « A3 » | <ul style="list-style-type: none"> Durée de vie de la lampe UV dépassée - le compte à rebours est à « 0 » jours. Consultez la Section 5.1.2, Comprendre votre code A3. Appuyer sur le bouton de réinitialisation pour différer l'alarme, remplacer la lampe UV |
| L'affichage DEL est vide | <ul style="list-style-type: none"> Le dispositif de commande est en mode de défaillance de lampe UV. Consultez la Section 5.1.5, Défaut de lampe UV. Remplacer la lampe UV, consultez la Section 4.1. Arrêter le système, ce qui lui permet de se réinitialiser ; mettre le courant pour confirmer que le dispositif de commande peut alimenter la lampe UV Vérifier qu'il y a suffisamment de courant dans le système UV |
| DEL vert inactif (12 VDC seulement) | <ul style="list-style-type: none"> Défaillance de la lampe UV. Remplacer la lampe UV, consultez la Section 4.1. Pas de tension d'entrée sur le dispositif de commande |

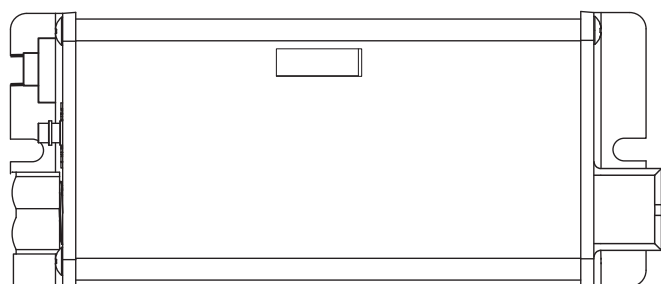
Section 5 Fonctionnement

⚠ AVERTISSEMENT



Le système d'avertissement avancé a été installé pour assurer une protection optimale contre la contamination microbiologiques de l'eau. N'ignorez PAS les signaux d'alarme. La meilleure façon d'assurer des performances UV optimales est de faire effectuer régulièrement un test microbiologique de l'eau par une agence homologuée.

5.1 Systèmes de base incorporant le dispositif de commande BA-ICE-S



5.1.1 Durée de vie restante de la lampe UV (jours)

365 Le dispositif de commande suit le nombre de jours de fonctionnement de la lampe UV et du dispositif de commande. L'écran par défaut affiche la durée de vie restante de la lampe UV (jours). Le dispositif de commande compte le nombre de jours restants jusqu'à ce que vous ayez besoin de changer la lampe UV (365 jours à 1 jour). Au jour « 0 », le dispositif de commande affiche **A3** et émet un signal chirp intermittent (1 seconde active, 5 secondes inactives), indiquant le besoin de changer la lampe UV.

5.1.2 Comprendre votre code « A3 »

A3 REPORT : une fois que le message « A3 » ou fin de vie de la lampe UV s'affiche sur le DEL, le signal d'alarme peut être reporté jusqu'à 4 fois. Le retard est destiné à vous donner du temps de répondre à l'avertissement pendant que vous récupérez une nouvelle lampe UV. Vous pouvez le faire en appuyant simplement sur le bouton de réinitialisation du compteur pendant 5 secondes situé sur le côté gauche du dispositif de commande. Chaque fois que vous appuyez sur le bouton de réinitialisation du compteur, l'alarme du dispositif de commande est reportée de sept jours. Une fois que le report final de 7 jours a été atteint, l'alarme peut être coupée seulement par le remplacement de la lampe UV et la réinitialisation manuelle du compteur, consultez la [Section 4.1](#).

5.1.3 Réinitialisation de la durée de vie de la lampe UV

Consultez la [Section 4.1](#).

Remarque : même si l'alarme du système peut être reportée pendant un certain temps, il est important de répondre à chaque cas d'avertissement car ils indiquent qu'il y a un problème potentiel avec le système et qu'il faut y remédier.

5.1.4 Nombre total de jours de fonctionnement

1680 Le dispositif de commande indique également la durée totale de fonctionnement du dispositif de commande. Pour obtenir ce chiffre, appuyez sur le bouton poussoir une fois. La durée totale de fonctionnement du dispositif de commande s'affiche numériquement en jours. Cette information reste affichée pendant dix secondes, puis revient sur l'écran par défaut de la durée de vie restante de la lampe UV. Il faut noter que cette valeur ne peut pas être réinitialisée.

5.1.5 Défaillance de la lampe UV (Écran vide)

□ Lorsque le système reconnaît une Défaillance de la lampe UV (pas de courant dans la lampe UV), l'affichage sera vide □ (pas d'écran par défaut DURÉE DE VIE RESTANTE DE LA LAMPE UV) et le système émet un signal sonore intermittent (1 seconde active, 1 seconde inactive). Le système reste dans cet état jusqu'à ce que le problème soit résolu.

Section 2 Informations générales

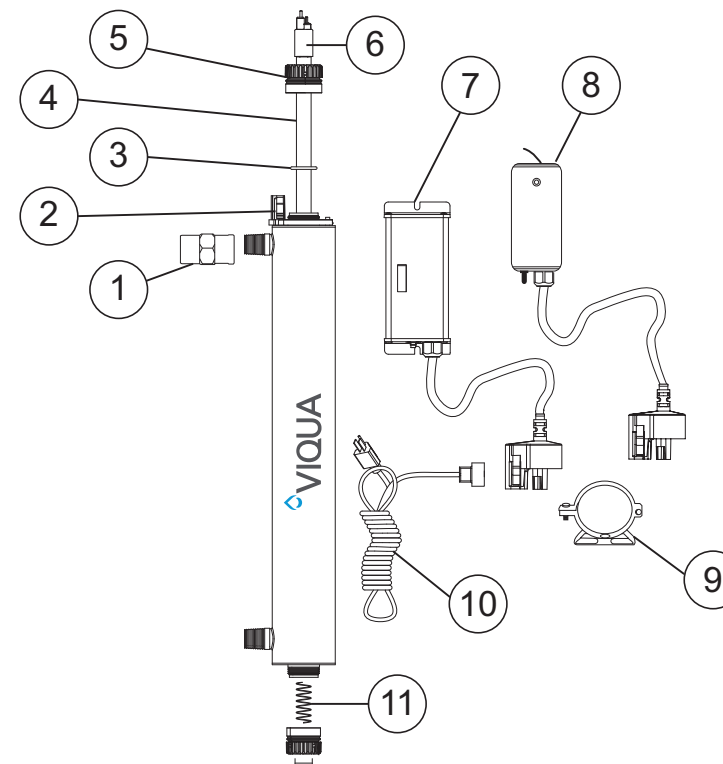


Figure 1 Composants du système

| Composant | Description | Référence | Systèmes UV |
|-----------|---|------------|--|
| 1 | Limiteur de débit (Pour les modèles certifiés seulement) | 440263-R | SV5Q-PA |
| | | 440264-R | SV8Q-PA |
| 2 | Base du connecteur de lampe | 270276-R | Utilisé sur tous les systèmes |
| 3 | Joint torique | 410867 | Utilisé sur tous les systèmes |
| 4 | Manchons ouverts en quartz fondu 214 avec extrémités polies au feu | QS-001 | S1Q-PA |
| | | QS-330 | S2Q-PA |
| | | QS-463 | S5Q-PA, SV5Q-PA |
| | | QS-810 | S8Q-PA, SV8Q-PA |
| 5 | Écrou de blocage | RN-001 | Utilisé sur tous les systèmes |
| 6 | Lampes UV en verre durci recouvert de Sterilume®-EX pour une longue durée de vie (9 000 heures) | S330RL | S2Q-PA |
| | | S463RL | S5Q-PA, SV5Q-PA |
| | | S810RL | S8Q-PA, SV8Q-PA |
| 7 | Dispositif de commande (pour les modèles 100-240V seulement) | BA-ICE-S | S5Q-PA, S8Q-PA, SV5Q-PA, SV8Q-PA |
| 8 | Dispositif de commande (pour les modèles 12VDC seulement) | BA-RO/P/12 | S2Q-P/12VDC, S5Q-P/12VDC |
| 9 | Supports de montage 2,5" | 410958-R | Utilisé sur tous les systèmes |
| 10 | Cordons CEI de rechange pour dispositif de commande VIQUA ICE (vendus séparément) | 260010 | AMÉRIQUE DU NORD (NEMA 5-15P) 3 BROCHES AVEC TERRE |
| | | 602637 | EUROPE CONTINENTALE (CEE 7/7) 2 BROCHES AVEC TERRE, « SCHUKO » |
| | | 260012 | VERSION ROYAUME-UNI (BS 1363) 3 BROCHES AVEC TERRE (FUSIBLE 5 AMP) |
| | | 260013 | VERSION AUSTRALIENNE (AS 3112) 3 BROCHES AVEC TERRE |
| | | 260019 | SANS CONNECTEUR, 3 FILS, CONDUCTEURS DÉNUDÉS |
| 11 | Ressort | SP008 | Utilisé sur tous les systèmes |

Section 3 Installation

3.1 Système de désinfection par UV

⚠ ATTENTION

Le dispositif électronique de commande doit être connecté à une prise à disjoncteur de fuite de terre (DFT). Assurez-vous que la borne du fil vert de mise à la terre est solidement fixée à la borne de masse sur la chambre à UV.

Le système de désinfection est conçu pour être monté soit horizontalement ou verticalement sur le point d'utilisation ou le point d'entrée en fonction du débit spécifique de l'unité.

Remarque : l'installation idéale est à la verticale avec le connecteur de lampe en haut. Ceci permet d'éviter tout dégât par l'eau sur les broches de la lampe et le connecteur.

- Le dispositif de commande devrait être monté soit au-dessus, soit à côté de la chambre à UV. Montez toujours le dispositif de commande à l'horizontal pour éviter que l'humidité coule le long du cordage et provoque un incendie. Des boucles d'égouttement dans tout le cordage branché au dispositif de commande sont hautement recommandées. Consultez la [Figure 5](#).
- Tout le système de l'eau, y compris les réservoirs sous pression ou à eau chaude, doit être stérilisé avant le démarrage par rinçage au chlore (eau de Javel) pour détruire toute contamination résiduelle. Consultez la [Section 3.2](#).
- Le système de désinfection est destiné à être utilisé en intérieur seulement. N'installez PAS de système de désinfection où il pourrait être exposé aux intempéries.
- Installez le système de désinfection sur une canalisation d'eau froide exclusivement, en amont des canalisations ramifiées.
- Un filtre à sédiments de 5 microns doit être installé avant le système de désinfection. Dans l'idéal, le système de désinfection devrait être le dernier traitement reçu par l'eau avant qu'elle arrive au robinet.

Procédure :

- La [Figure 2](#) décrit l'installation d'un système de désinfection et des composants connexes qui peuvent être utilisés pour l'installation. L'utilisation d'un ensemble de dérivation est recommandée dans le cas où le système nécessite une maintenance « hors ligne ». Dans ce cas, notez que le système nécessite une désinfection supplémentaire pour le système de distribution si de l'eau est utilisée pendant la dérivation. De plus, pendant la dérivation, l'eau NE sera PAS désinfectée et une étiquette « NE PAS CONSOMMER L'EAU » doit physiquement être installée sur l'ensemble de dérivation jusqu'à ce que le système soit assaini et à nouveau en service. Pour plus d'informations, consultez la [Section 3.2](#). Si l'eau doit être consommée pendant que le système est hors ligne, l'eau doit être bouillie pendant deux minutes avant d'être consommée.

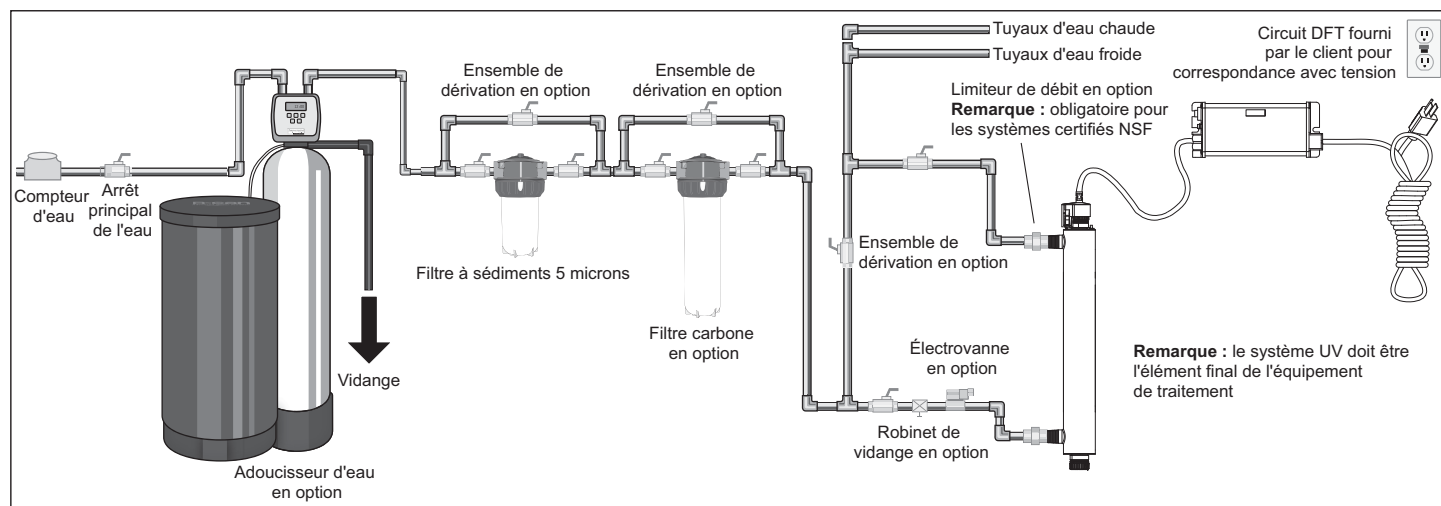


Figure 2 Système de désinfection

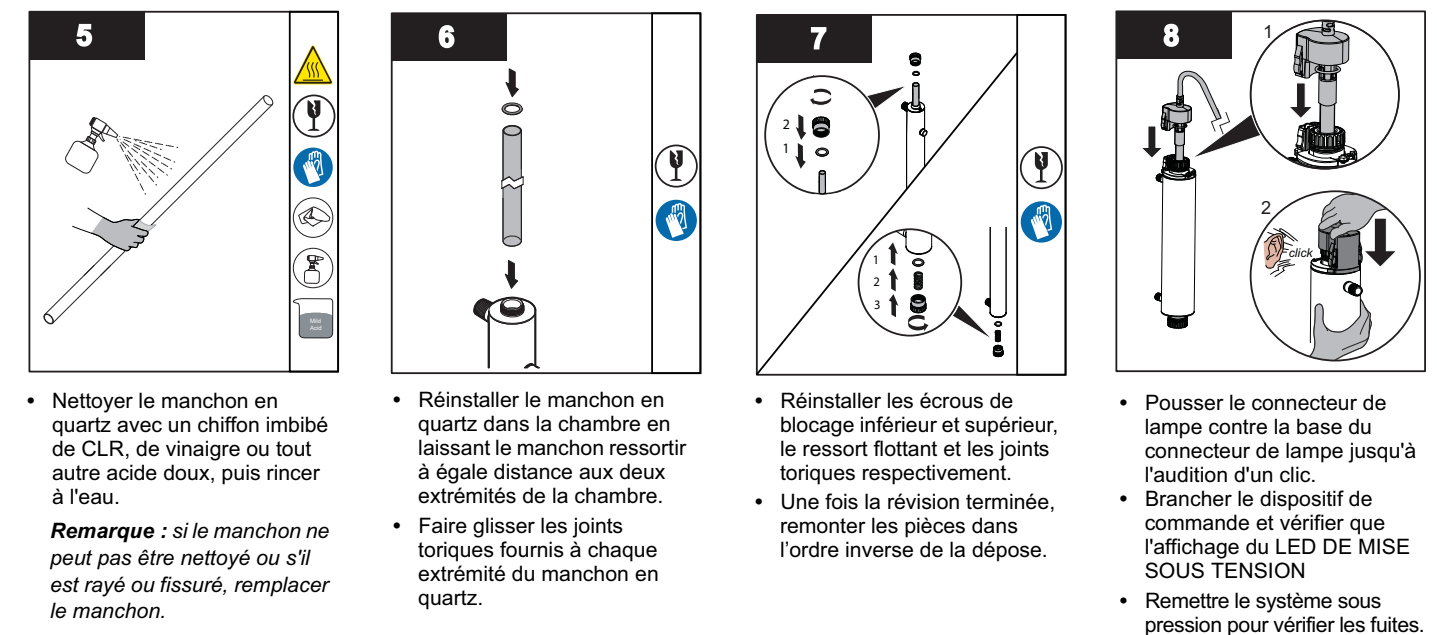
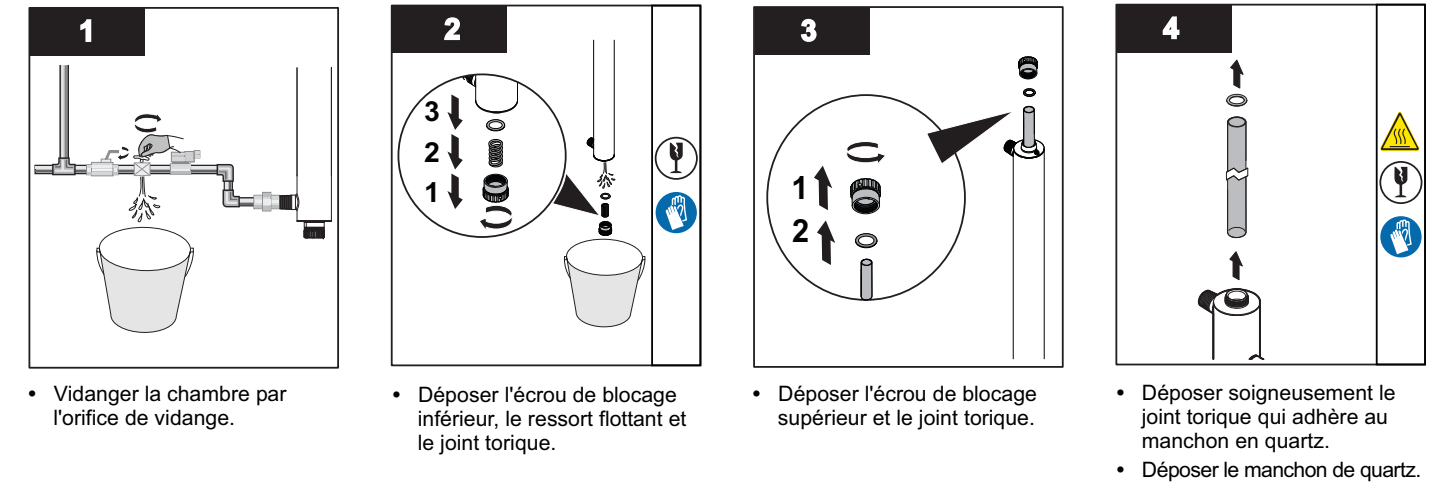
4.2 Nettoyage et remplacement du manchon en quartz

Remarque : les matières minérales dans l'eau forment progressivement un dépôt sur le manchon de quartz. Ce dépôt doit être éliminé parce qu'il réduit la quantité de lumière UV qui atteint l'eau, et limite donc les performances de désinfection. S'il n'est pas possible de nettoyer le manchon, celui-ci doit être remplacé.

Préalables :

- Couper l'arrivée d'eau et vidanger toutes les canalisations.
- Déposer la lampe UV. Consultez la [Section 4.1](#).

Procédure :



Remarque : après avoir remplacé la lampe UV ou le manchon en quartz, effectuez la procédure de désinfection, consultez la [Section 3.2](#).

Section 4 Maintenance

⚠ AVERTISSEMENT



- Toujours débrancher l'alimentation avant d'effectuer tout travail sur le système de désinfection.
- Toujours arrêter l'écoulement d'eau et relâcher la pression d'eau avant de procéder à l'entretien.
- Inspecter régulièrement votre système de désinfection pour s'assurer que les indicateurs d'alimentation sont sous tension et qu'aucune alarme n'est présente.
- Remplacer la lampe UV chaque année (ou tous les deux ans en cas de résidence secondaire) pour assurer une désinfection maximale.
- Toujours vidanger la chambre UV lors de la fermeture d'une résidence secondaire ou lorsque l'unité est laissée dans une zone soumise à des températures glaciales.

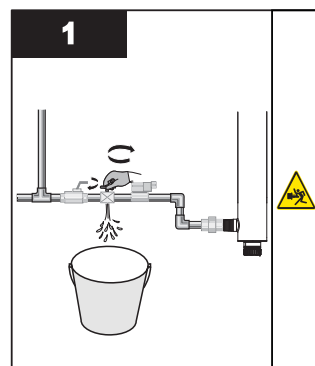
4.1 Remplacement de la lampe UV

AVIS

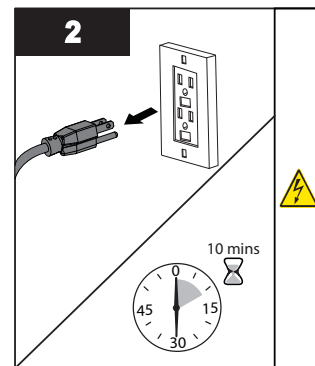
- Réinitialiser le compteur de durée de vie de la lampe UV après le remplacement de la lampe UV. Consultez la [Section 5.1.3](#). Consultez www.lamprecycle.org pour l'élimination des lampes UV.
- NE PAS utiliser d'eau pendant le remplacement de la lampe UV.

Le remplacement d'une lampe UV est une procédure simple et rapide ne nécessitant aucun outil spécial. La lampe UV doit être remplacée après 9 000 heures de fonctionnement continu (environ un an) pour assurer une désinfection appropriée.

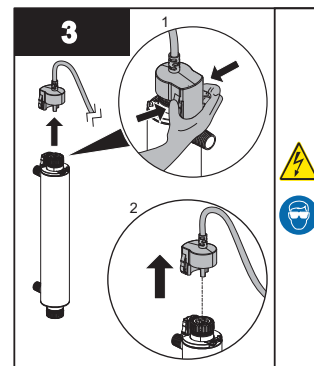
Procédure :



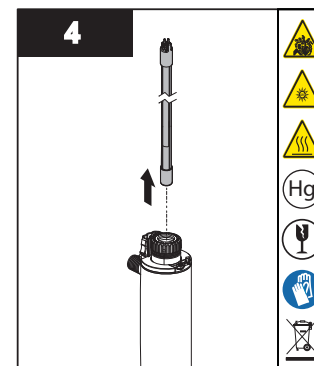
- Couper la canalisation d'eau vers la chambre et relâcher la pression du système avant de procéder à l'entretien.



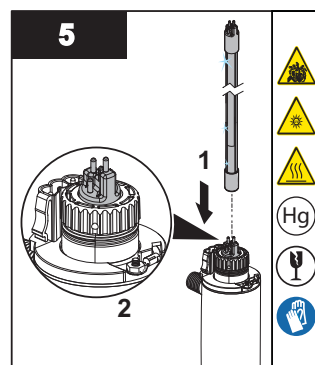
- Débrancher la source d'alimentation principale et laisser l'unité refroidir pendant 10 minutes.



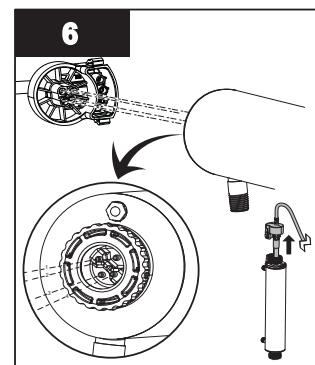
- Déposer le connecteur de la lampe en appuyant sur les onglets de verrouillage en plastique sur le côté du connecteur.



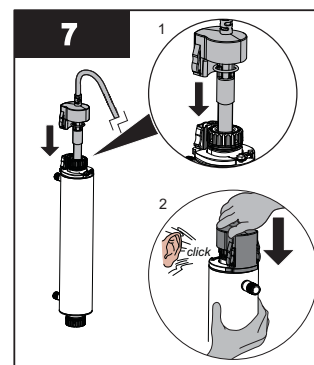
- Déposer la lampe vers le haut à partir de la chambre et la base du connecteur de la lampe.
- Toujours maintenir la lampe aux extrémités en céramique.



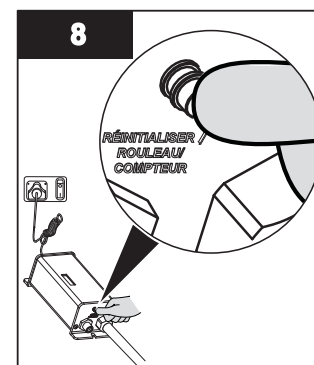
- Insérer la nouvelle lampe entièrement dans la chambre en laissant environ deux pouces de la lampe sortir de la chambre.



- Attacher le connecteur à la lampe et noter que le connecteur n'a qu'une seule position dans laquelle il est installé correctement.



- Pousser le connecteur de lampe contre la base du connecteur de lampe jusqu'à l'audition d'un clic.
- Remettre le système sous pression pour vérifier les fuites.



- Maintenir le bouton de réinitialisation du compteur appuyé et remettre le courant dans le dispositif de commande jusqu'à l'affichage de **[-5ET]**, puis relâcher le bouton de réinitialisation du compteur.
- Un délai de 5 secondes peut s'écouler avant que vous n'entendiez un son et que le **DEL** affiche à nouveau **[365]**.

2. Sélectionnez un emplacement approprié pour le système de désinfection et ses composants connexes. Étant donné qu'il est recommandé d'installer un DFT, assurez-vous qu'il est pris en compte avant l'installation. Le système peut être installé soit verticalement (orifice d'entrée en bas) comme indiqué dans la [Figure 3 A](#) soit horizontalement comme indiqué dans la [Figure 3 B](#). Cependant, l'installation verticale est la méthode préférée. Lorsque vous sélectionnez un emplacement de montage, laissez suffisamment d'espace pour permettre la dépose de la lampe UV/du manchon en quartz (on laisse habituellement un espace équivalent à la taille de la chambre UV elle-même).

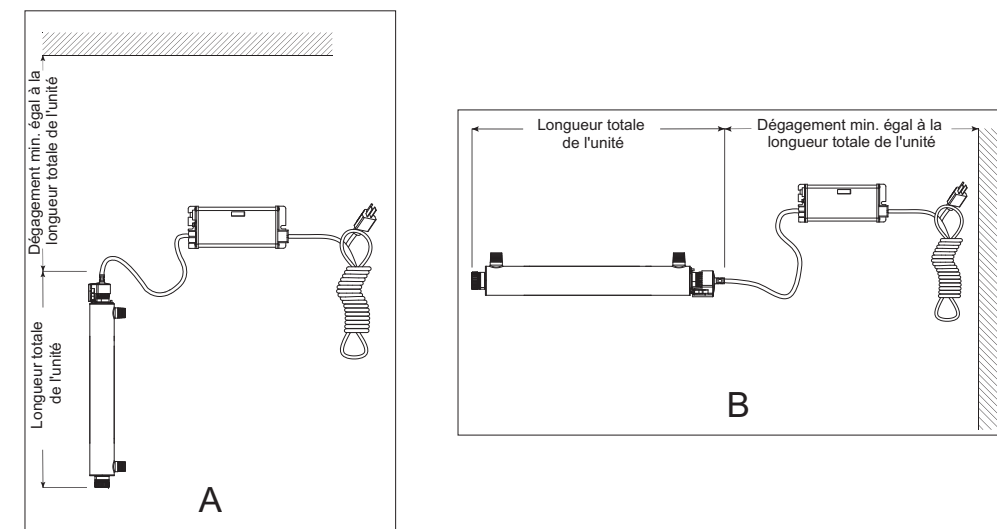


Figure 3 Installation du système de désinfection - Verticale et Horizontale

3. Montez le système au mur à l'aide des pinces fournies. Différentes méthodes de branchement peuvent être utilisées pour brancher la source d'eau au système, cependant les connecteurs de type union sont recommandés. L'utilisation d'un dispositif de limiteur de débit permettra de maintenir le débit nominal du fabricant. Le limiteur de débit doit être installé sur l'orifice de sortie, il est conçu pour être installé dans une seule direction. Assurez-vous que l'écoulement de l'eau correspond à la direction de l'écoulement comme indiqué sur le limiteur de débit. Consultez la [Figure 4](#).

Remarque : NE soudez PAS les branchements quand ils sont attachés au système, car cela pourrait endommager les joints toriques.

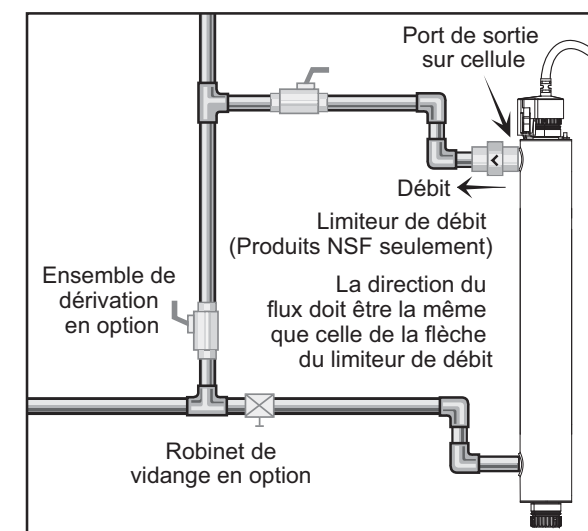


Figure 4 Limiteur de débit

4. Montez le dispositif de commande VIQUA ICE horizontalement au mur, à côté de la chambre à UV. Dans l'idéal, placez le dispositif de commande au-dessus de la chambre et loin de tout point de branchement d'eau, pour éviter toute fuite potentielle d'eau sur le dispositif de commande au moyen d'une fuite au niveau d'un point de connexion ou d'un système « transpirant ». Assurez-vous d'avoir laissé une « boucle d'égouttement » comme indiqué dans la [Figure 5](#) sur la lampe UV, le capteur UV et le cordon d'alimentation, à nouveau, pour empêcher l'eau de pouvoir entrer dans le dispositif de commande.

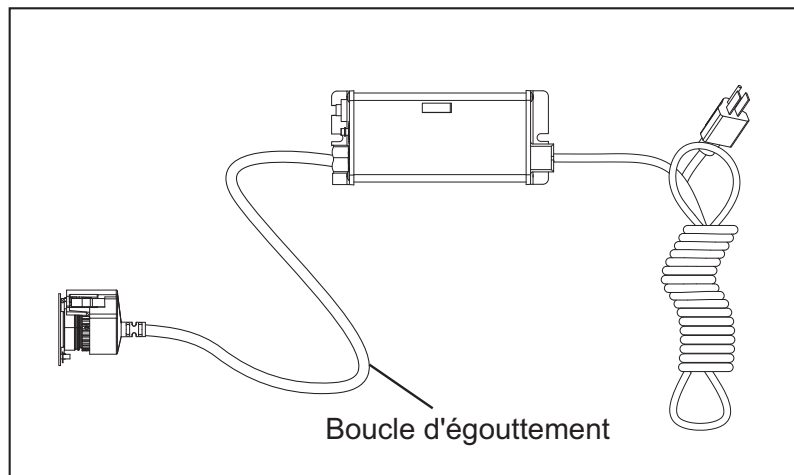


Figure 5 Boucle d'égouttement

5. Installez la lampe UV. Consultez la [Section 4.1](#).
6. Lorsque tous les raccords de plomberie sont terminés, tournez lentement l'alimentation en eau et vérifiez les fuites éventuelles. La cause la plus probable de fuites vient du joint torique. En cas de fuite, coupez l'eau, vidangez la cellule, déposez l'écrou de blocage, essuyez le joint torique et les fils. Nettoyez et réinstallez.
7. Une fois qu'il a été déterminé qu'il n'y a pas de fuite, branchez le système dans le disjoncteur de fuite de terre et vérifiez le dispositif de commande pour vous assurer que le système fonctionne correctement. Le dispositif de commande doit s'allumer sans aucune alarme.

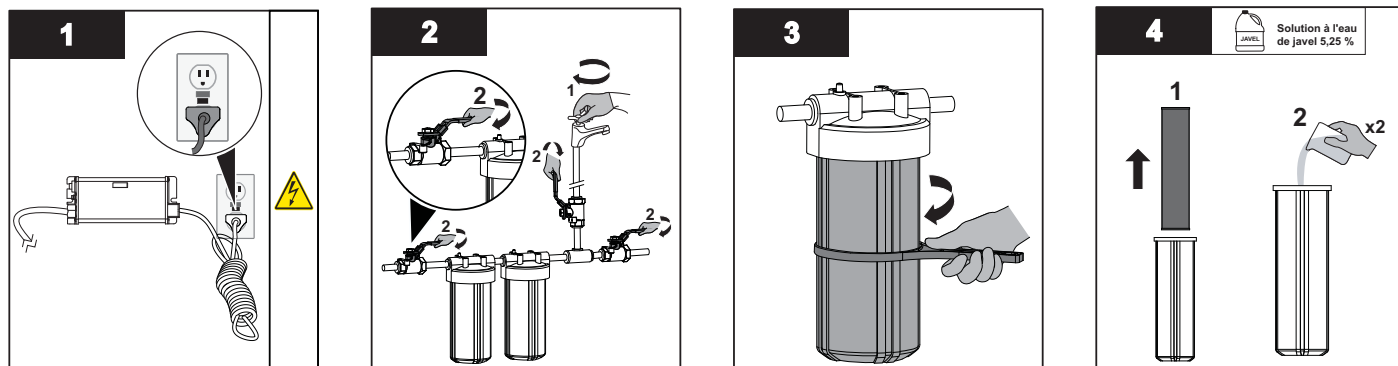
Remarque : NE PAS regarder directement la lumière vive de la lampe UV.

8. Laissez l'eau s'écouler pendant quelques minutes pour nettoyer l'air ou la poussière qui pourrait être dans la chambre à UV.

Remarque : quand il n'y a pas d'écoulement, l'eau de la cellule deviendra chaude car la lampe UV est toujours en marche. Pour corriger ceci, ouvrez un robinet d'eau froide n'importe où dans la maison pendant une minute pour évacuer l'eau chaude.

3.2 Procédure de désinfection

La désinfection par UV est un processus physique qui n'ajoute à l'eau aucun produit chimique potentiellement nocif. Du fait que les UV ne laissent aucun résidu de désinfection, il est impératif de faire désinfecter chimiquement la totalité du circuit de distribution après le système à UV pour garantir que la plomberie soit exempte de toute contamination bactériologique. La procédure de désinfection doit être effectuée immédiatement après l'installation de l'appareil à UV et répétée ensuite à chaque arrêt du système à UV pour entretien, coupure d'alimentation ou arrêt du fonctionnement pour quelque raison que ce soit. La procédure d'assainissement du système de plomberie s'effectue facilement comme suit :

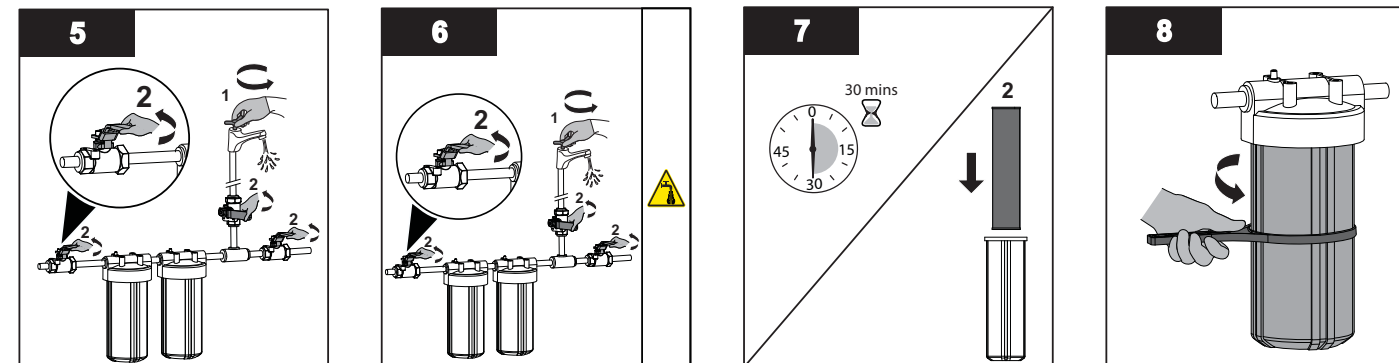


1. S'assurer que le dispositif de commande est branché pendant tout le processus de désinfection.

2. Couper l'arrivée d'eau.
Fermer chaque robinet.

3. Déposer la(les) cartouche(s) de filtre.

4. Verser 2 tasses de solution à l'eau de javel dans le(s) boîtier(s) de filtre.
Remarque : NE PAS utiliser de peroxyde d'hydrogène.



5. Réinstaller les boîtiers.
Ouvrir l'alimentation en eau froide.
Ouvrir chaque robinet et toutes les ouvertures d'eau jusqu'à ce que l'odeur de javel apparaisse, puis fermer les robinets.

6. Ouvrir l'alimentation en eau chaude.
Ouvrir chaque robinet et toutes les ouvertures d'eau jusqu'à ce que l'odeur de javel apparaisse, puis fermer les robinets.

7. NE PAS utiliser l'eau pendant 30 minutes.
Rincer le système jusqu'à ce qu'il n'y ait plus d'odeur de chlore détectable et réinstaller les filtres.

8. Réinstaller la(les) boîtier(s) de filtre.

Remarques : 1) L'ajout de chlore (javel) à un réservoir d'eau chaude qui a été alimenté dans le passé avec de l'eau brute non traitée contenant des niveaux élevés d'autres contaminants (fer, manganèse, sulfure d'hydrogène, substances organiques, etc.) entraînera l'oxydation de ces contaminants et pourrait nécessiter le rinçage répété du réservoir d'eau chaude. Cette éventualité doit être traitée indépendamment selon la procédure de démarrage pour tout autre modificateur qui pourrait former une partie du pré-traitement de l'unité UV.

2) La procédure de désinfection ci-dessus entraînera un résidu de chlore massif de 0,5 à 1,0 mg/L en excès typiquement présent dans l'eau chlorée municipale et d'une ampleur conforme à la solution chlorée minimum de 50 mg/L recommandée pour la désinfection des systèmes de distribution connus comme étant contaminés. L'eau NE doit PAS être consommée tant que le système complet n'a pas été rincé.